



PARTS LIST

HEDGE TRIMMERS

eHT752S
eHT602D

NOTE :

1. Use ZENOAH genuine parts specified in the parts list for repair and/or replacement.
2. ZENOAH does not warrant the machines, those which have been damaged by the use of any parts other than those specified by the company.
3. When placing orders of parts for repair and/or replacement, check if the model name and the serial number are suitable to those specified in the parts list, then use parts number described in the parts list.
4. The contents described in the parts list may change due to improvement.
5. The parts for the machine shall be supplied within ten (10) years after the machine is discontinued. [It is possible that some specific parts may be subject to change of their delivery term and list price within the limit of ten (10) years after the machine is discontinued. And it is also possible that some parts may be available even after the limit of ten (10) years.]

APPLICABLE SERIAL NUMBERS :

eHT752S : 300101 and up
eHT602D : 300101 and up

June 2003

Fig.1 eHT752S DRIVE UNIT

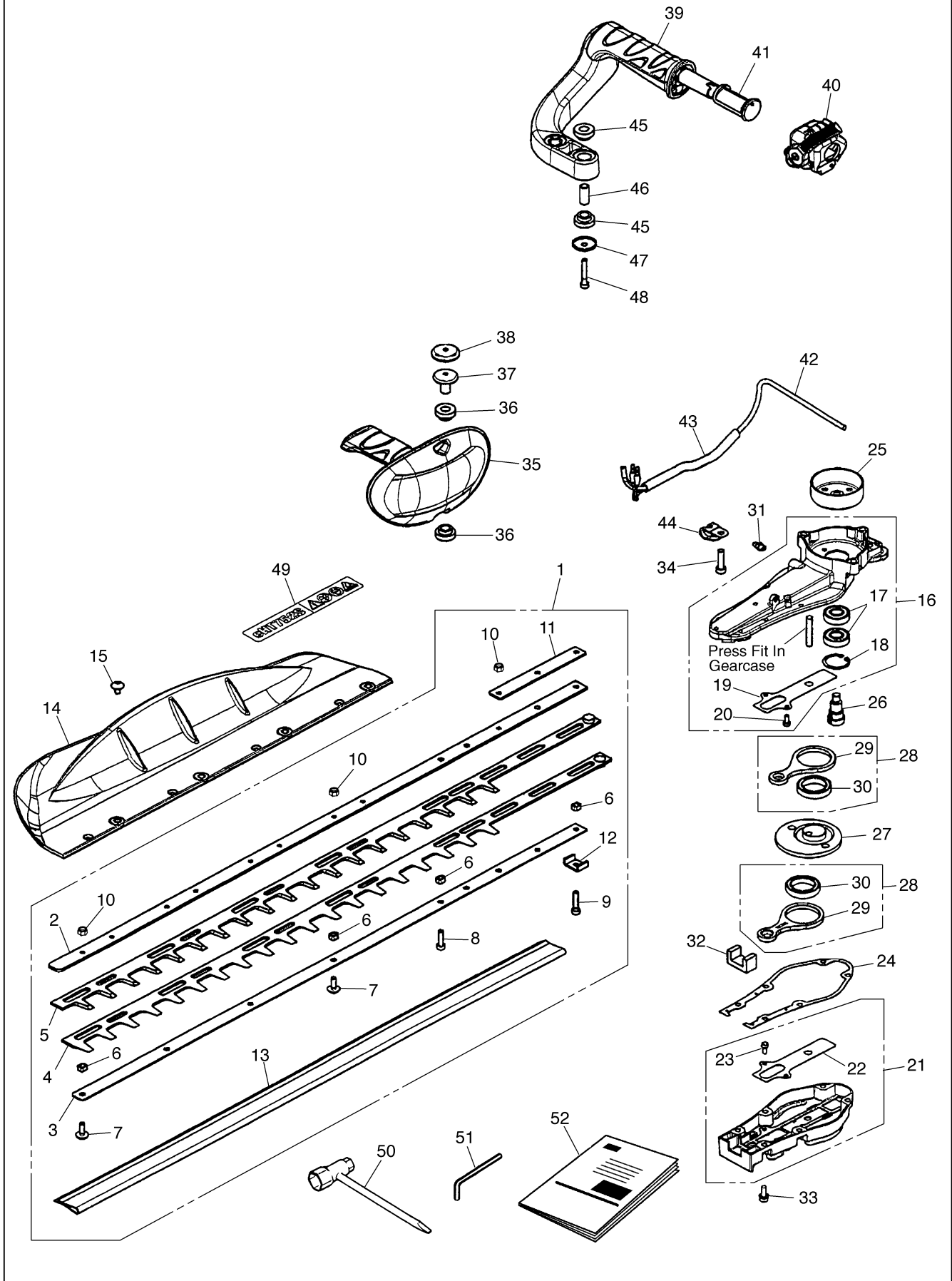


Fig.1 eHT752S DRIVE UNIT

Key#	PART NUMBER	DESCRIPTION	Q'TY /UNIT	NOTE	Key#	PART NUMBER	DESCRIPTION	Q'TY /UNIT	NOTE
1	848D306500	BLADE ASS'Y	1		46	T4503-32220	PIPE	2	
2	T4543-11110	• PLATE, upper	1		47	T4503-32230	WASHER	2	
3	T4543-11120	• PLATE, lower	1		48	01252-30535	BOLT	2	
4	848D3065A0	• BLADE, lower	1		49	T4543-12210	LABEL	1	
5	848D3065B0	• BLADE, upper	1		50	3320-91140	WRENCH	1	
6	T4521-11311	• SPACER	9		51	09007-00425	WRENCH	1	
7	T4520-11331	• SCREW	4		52	T4543-93110	MANUAL	1	
8	01252-30520	• BOLT	4						
9	01252-30525	• BOLT	1						
10	T4531-11350	• NUT	5						
11	T4543-11410	• PLATE	1						
12	T4543-11510	• BRACKET	1						
13	T4543-11230	• COVER	1						
14	T4503-12114	PLATE	1						
15	T4521-11330	BOLT	4						
16	848D306111	GEARCASE COMP, upper	1						
17	06004-06001	• BEARING	2						
18	04065-02812	• RING	1						
19	848D3061B0	• PLATE	1						
20	T4543-42320	• BOLT	2						
21	848D306121	GEARCASE COMP, botom	1						
22	848D3061B0	• PLATE	1						
23	T4543-42320	• BOLT	2						
24	T4543-21220	GASKET	1						
25	848D305110	DRUM	1						
26	848D3062A0	GEAR, drive	1						
27	T4543-42210	GEAR, driven	1						
28	T4543-42100	ROD ASS'Y	2						
29	T4543-42110	• ROD	1						
30	T4543-42120	• BEARING	1						
31	3199-13350	FITTING	1						
32	T4543-42410	FELT	1						
33	3350-15250	BOLT	6						
34	01252-30625	BOLT	3						
35	T4503-31101	HANDLE-R COMP	1						
36	T4503-31210	ABSORBER	4						
37	T4503-31220	HOLDER	2						
38	T4503-31230	CAP	2						
39	T4503-32100	HANDLE-L COMP	1						
40	6420-14303	LEVER ASS'Y	1						
41	T3040-14511	COLLER	1						
42	T4503-83100	CABLE COMP	1						
43	6542-14510	TUBE	1						
44	1565-72311	CLAMP	1						
45	T4503-31210	ABSORBER	4						

Fig.2 eHT602D DRIVE UNIT

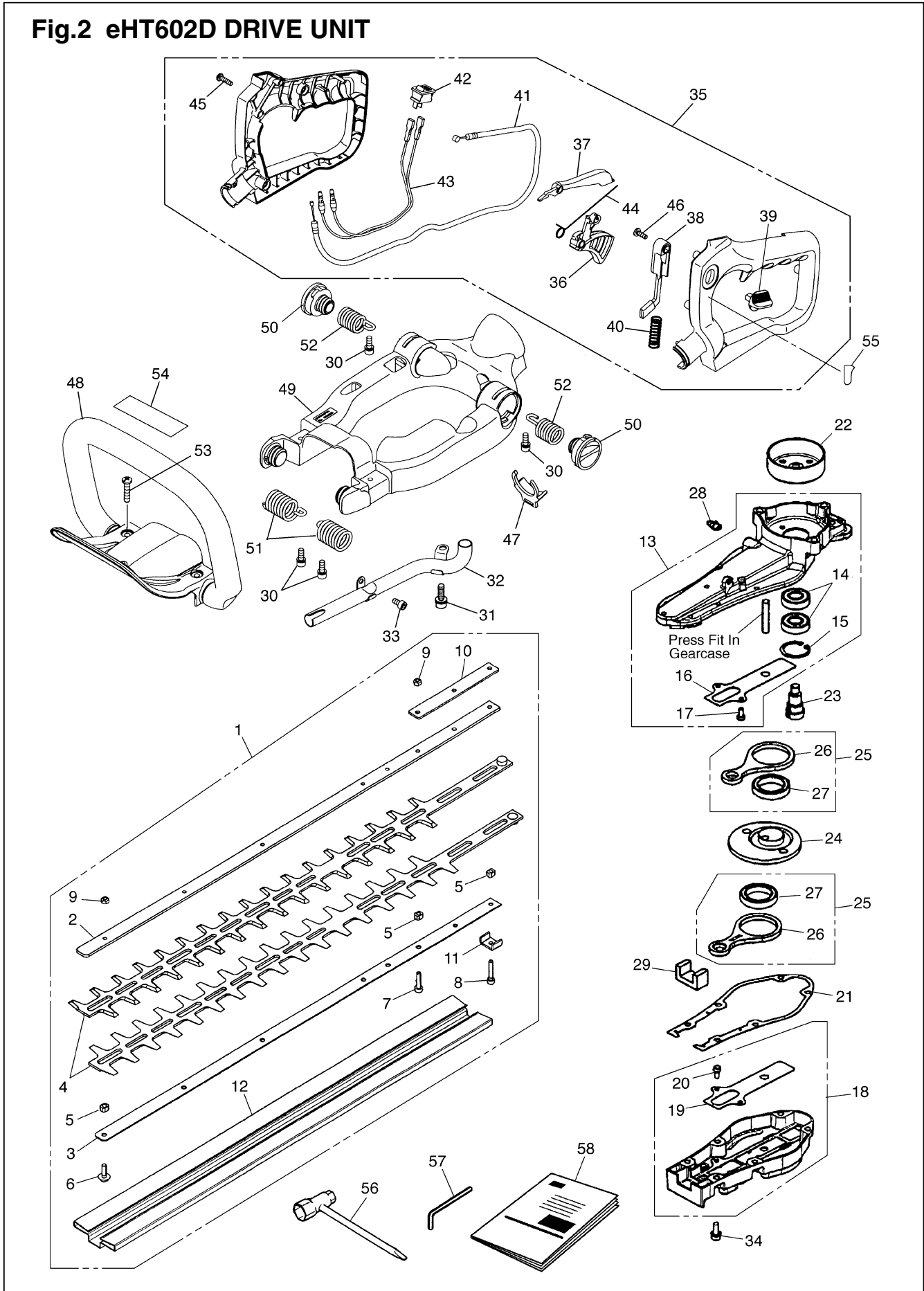


Fig.2 eHT602D DRIVE UNIT

Key#	PART NUMBER	DESCRIPTION	Q'TY /UNIT	NOTE	Key#	PART NUMBER	DESCRIPTION	Q'TY /UNIT	NOTE
1	848D316500	BLADE ASS'Y	1		46	2630-33610	• SCREW	1	
2	T4544-11110	• PLATE, upper	1		47	T4506-31511	STOPPER	1	
3	T4544-11120	• PLATE, lower	1		48	T4506-32110	HANDLE FRONT	1	
4	848D3165A0	• BLADE	2		49	T4506-41110	FRAME	1	
5	T4521-11311	• SPACER	8		50	T4506-41220	HOLDER	2	
6	T4520-11331	• SCREW	5		51	T4544-41310	SPRING, front	2	
7	01252-30520	• BOLT	2		52	T4506-41320	SPRING, rear	2	
8	01252-30525	• BOLT	1		53	2630-32610	SCREW	2	
9	T4531-11350	• NUT	6		54	T4544-12210	LABEL, caution	1	
10	T4543-11410	• PLATE	1		55	T4535-12250	LABEL	1	
11	T4543-11510	• BRACKET	1		56	3320-91140	WRENCH	1	
12	T4544-11230	• COVER	1		57	09007-00425	WRENCH	1	
13	848D306111	GEARCASE COMP. upper	1		58	T4543-93110	MANUAL	1	
14	06004-06001	• BEARING	2						
15	04065-02812	• RING	1						
16	848D3061B0	• PLATE	1						
17	T4543-42320	• BOLT	2						
18	848D306121	GEARCASE COMP, botom	1						
19	848D3061B0	• PLATE	1						
20	T4543-42320	• BOLT	2						
21	T4543-21220	GASKET	1						
22	848D305110	DRUM	1						
23	848D3062A0	GEAR, drive	1						
24	T4543-42210	GEAR, driven	1						
25	T4543-42100	ROD ASS'Y	2						
26	T4543-42110	• ROD	1						
27	T4543-42120	• BEARING	1						
28	3199-13350	FITTING	1						
29	T4543-42410	FELT	1						
30	3310-31720	BOLT	4						
31	01252-30625	BOLT	3						
32	848D3115E0	PIPE, exhaust	1						
33	01252-30510	BOLT	1						
34	3350-15250	BOLT	6						
35	T4506-31002	HANDLE REAR ASS'Y	1						
36	T4506-31210	• LEVER, throttle	1						
37	T4506-31310	• ARM	1						
38	T4506-31412	• LEVER, lock	1						
39	T4506-31420	• KNOB	1						
40	T4506-31430	• SPRING	1						
41	T4506-51110	• CABLE COMP	1						
42	T4506-52110	• SWITCH	1						
43	T4506-52120	• CODE COMP	1						
44	3356-33321	• SPRING, throttle	1						
45	2630-31950	• SCREW	5						

Fig.3 ENGINE (1)

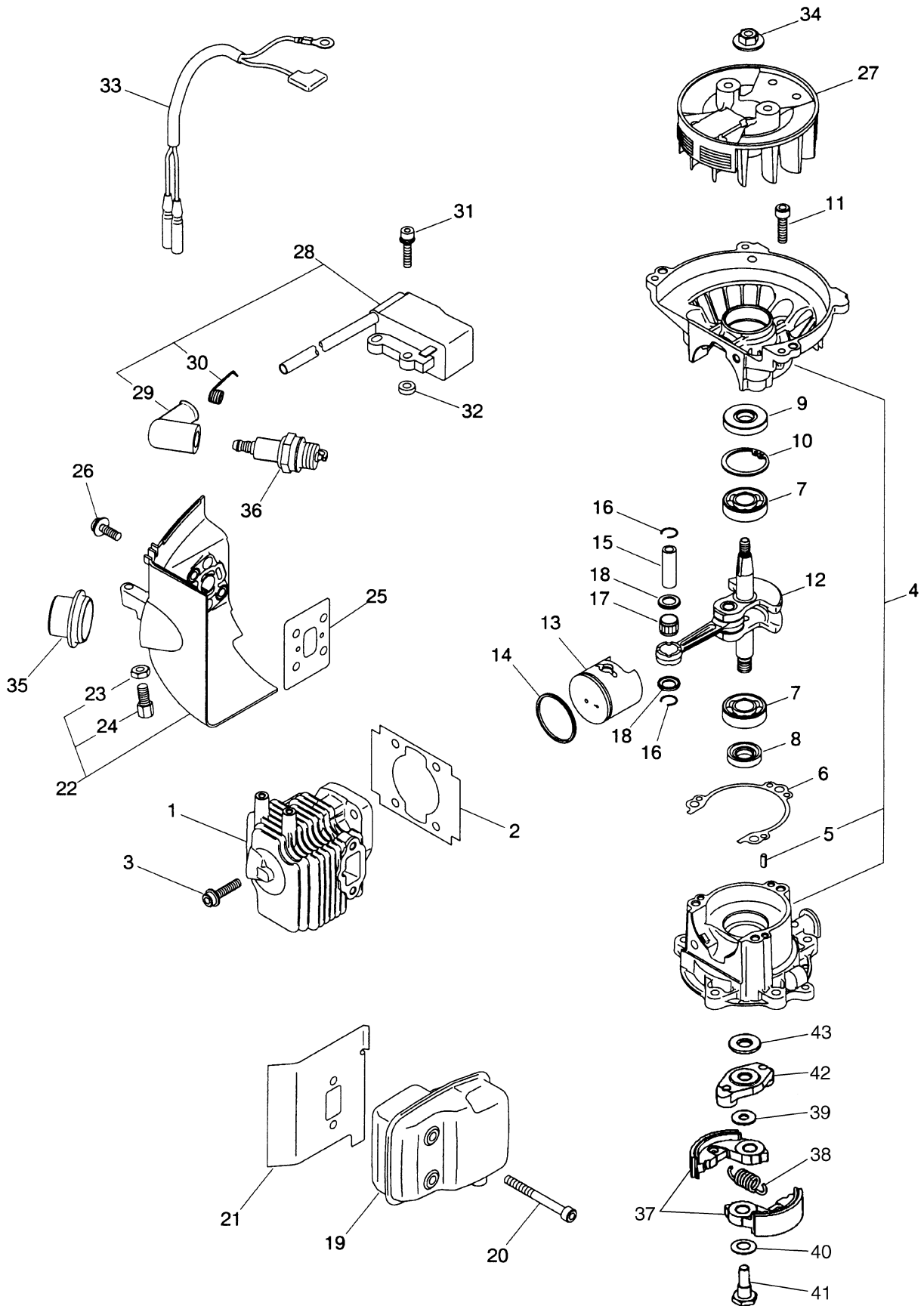


Fig.3 ENGINE (1)

Key#	PART NUMBER	DESCRIPTION	Q'TY /UNIT	NOTE	Key#	PART NUMBER	DESCRIPTION	Q'TY /UNIT	NOTE
1	T1600-12110	CYLINDER	1						
2	5500-12213	GASKET	1						
3	1850-12130	BOLT	2						
4	T1650-21100	CRANKCASE COMP	1						
5	2629-21130	• PIN	3						
6	T1600-21140	GASKET, case	1						
7	T1600-21240	BEARING	2						
8	T1600-21210	SEAL	1						
9	T1600-21220	SEAL	1						
10	04065-02612	RING	1						
11	01252-30520	BOLT	3						
12	848E004200	CRANKSHAFT COMP	1						
13	1160-41110	PISTON	1						
14	1100-41210	RING	1						
15	1101-41310	PIN	1						
16	1260-41320	RING	2						
17	5500-41410	BEARING	1						
18	1101-41340	WASHER	2						
19	T1600-15110	MUFFLER	1						
20	01252-30550	BOLT	2						
21	T1650-15210	GASKET	1						
22	T1650-13101	INSULATOR COMP	1						
23	0282-10604	• NUT	1						
24	T1600-13170	• ADJUST SCREW	1						
25	5500-13121	GASKET	1						
26	5500-85510	SCREW	2						
27	T1658-71110	ROTOR	1						
28	T1658-71200	COIL ASS'Y	1						
29	T1600-72110	• CAP	1						
30	T1600-72120	• SPRING	1						
31	3350-14150	BOLT	2						
32	1260-71261	SPACER	2						
33	T1600-73200	CORD COMP	1						
34	2750-32620	NUT	1						
35	T1650-72140	CAP	1						
36	1881-73110	SPARKPLUG (Champion)	1	CJ-6Y					
37	T1700-51110	SHOE	2						
38	T1700-51220	SPRING	1						
39	1140-51230	WASHER	2						
40	1970-51241	WASHER	2						
41	1140-51250	SCREW	2						
42	848E0051A0	PLATE, clutch	1						
43	848E0051B0	PLATE	1						

Fig.4 ENGINE (2)

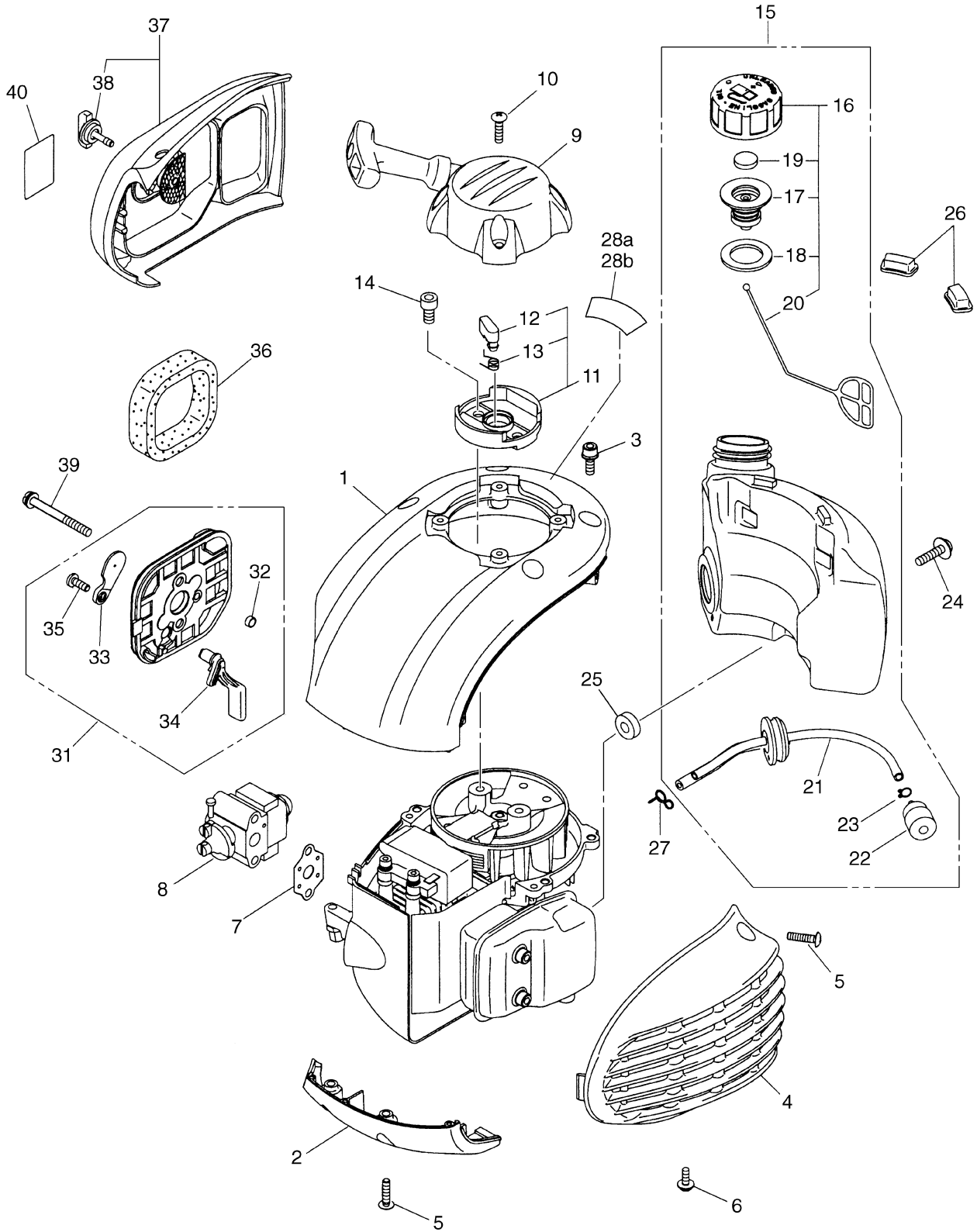


Fig.4 ENGINE (2)

Key#	PART NUMBER	DESCRIPTION	Q'TY /UNIT	NOTE	Key#	PART NUMBER	DESCRIPTION	Q'TY /UNIT	NOTE
1	T1650-31111	COVER, front	1						
2	848E0031A0	COVER, rear	1						
3	3350-15250	BOLT	4						
4	T1650-15310	COVER, muffler	1						
5	T1650-31410	SCREW	3						
6	1850-32160	SCREW	1						
7	5500-13131	GASKET	1						
8	T1658-81001	CARBURETOR-A (WYL-190)	1						
9	T1650-75100	RECOIL ASS'Y	1						
10	1650-31410	SCREW	4						
11	T1650-75200	PULLEY ASS'Y	1						
12	1850-75220	• RATCHET	1						
13	T1650-75230	• SPRING	1						
14	01252-30612	BOLT	2						
15	T1650-85002	TANK ASS'Y	1						
16	5607-85201	• CAP ASS'Y	1						
17	5601-85300	•• HOLDER ASS'Y	1						
18	5500-85220	•• PACKING	1						
19	5601-85260	•• FILTER	1						
20	4820-85260	•• STOPPER	1						
21	5500-85300	• PIPE COMP	1						
22	5500-85400	• FILTER	1						
23	1260-85460	• CLIP	1						
24	1600-86120	SCREW	1						
25	1400-86271	CUSHION	1						
26	T1650-85521	ABSORBER	2						
27	1950-86120	CLIP	1						
28a	T4543-12220	LABEL, name	1	eHT752S					
28b	T4544-12220	LABEL, name	1	eHT602D					
31	T1650-82100	BODY-A	1	*					
32	1970-82190	• SLEEVE	2	*					
33	T1650-82130	• PLATE, choke	1	*					
34	T1650-82140	• LEVER	1	*					
35	2630-33610	• SCREW	1	*					
36	5500-82171	ELEMENT	1	*					
37	T1650-82200	COVER-A	1	*					
38	5500-82221	• KNOB	1	*					
39	0263-90555	SCREW	2	*					
40	T1652-82250	LABEL, caution	1	*					

*: Except china. For china, see Fig.6.

Fig.5 RECOIL STARTER

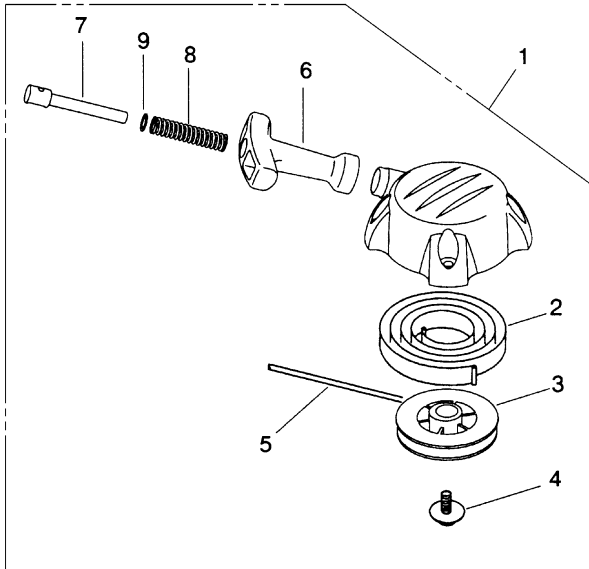
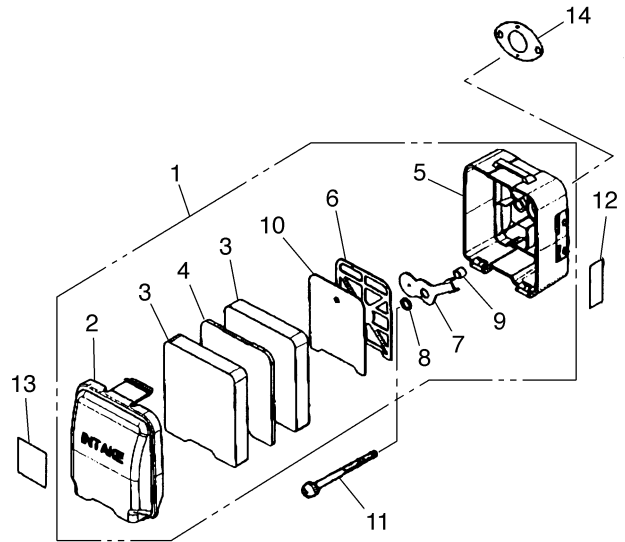


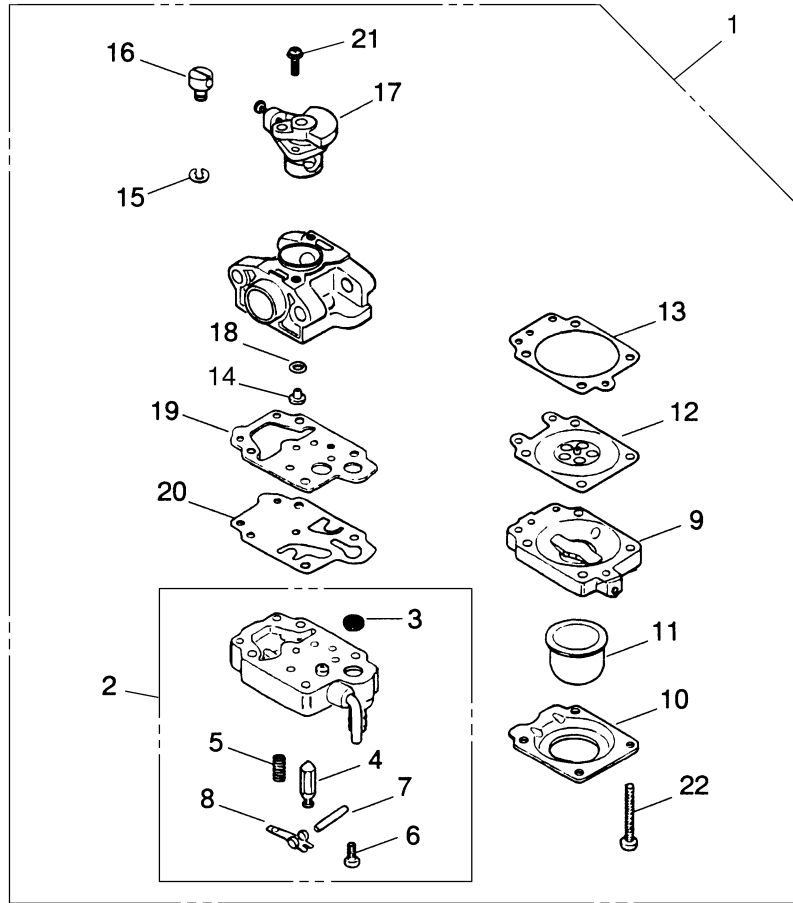
Fig.6 AIR CLEANER (for China)



Key#	PART NUMBER	DESCRIPTION	Q'TY /UNIT	NOTE
1	T1650-75100	RECOIL ASS'Y	1	
2	T1600-75130	• SPRING, spiral	1	
3	1850-75120	• REEL	1	
4	1850-75151	• SCREW	1	
5	T1600-75160	• ROPE	1	
6	T1600-75310	• KNOB	1	
7	T1600-75321	• COLLAR	1	
8	T1600-75330	• SPRING	1	
9	T1600-75210	• WASHER	1	

Key#	PART NUMBER	DESCRIPTION	Q'TY /UNIT	NOTE
1	848E008300	AIR CLEANER ASS'Y	1	
2	1918-82110	• COVER	1	
3	2332-82120	• FILTER	2	
4	848E0083G0	• FILTER	1	
5	1918-82130	• HOUSING	1	
6	1918-82140	• PLATE	1	
7	1750-82070	• LEVER	1	
8	1918-82160	• WASHER	1	
9	1918-82170	• SLEEVE	2	
10	1918-82180	• SCREEN	1	
11	0263-90560	SCREW	2	
12	5630-91170	LABEL	1	
13	5630-91180	LABEL	1	
14	3330-14121	GASKET	1	

Fig.7 CARBURETOR



Key#	PART NUMBER	DESCRIPTION	Q'TY /UNIT	NOTE	Key#	PART NUMBER	DESCRIPTION	Q'TY /UNIT	NOTE
1	T1658-81001	CARBURETOR-A (WYL-190A)	1		20	1065-81420	• DIAPHRAGM	1	
2	1794-81450	• BODY ASS'Y	1		21	5850-81110	• SCREW	2	
3	3306-81380	•• SCREEN	1		22	1850-81530	• SCREW	4	
4	3356-81310	•• VALVE	1						
5	1794-81270	•• SPRING	1						
6	1850-81220	•• SCREW	1						
7	3310-81250	•• PIN	1						
8	3310-81230	•• LEVER	1						
9	1850-81490	• BODY	1						
10	1850-81520	• COVER	1						
11	1751-81510	• PUMP	1						
12	4810-81260	• DIAPHRAGM	1						
13	1850-81470	• GASKET	1						
14	5502-81250	• JET #39	1						
15	1751-81130	• RING	1						
16	1881-81140	• SWIVEL	1						
17	T1659-81150	• VALVE	1						
18	1751-81240	• O-RING	1						
19	1065-81410	• GASKET	1						