



PARTS LIST

HEDGE TRIMMER

HTZ1000

NOTE :

1. Use HUSQVARNA ZENOAH genuine parts specified in the parts list for repair and/or replacement.
2. HUSQVARNA ZENOAH does not warrant the machines, those which have been damaged by the use of any parts other than those specified by the company.
3. When placing orders of parts for repair and/or replacement, check if the model name and the serial number are suitable to those specified in the parts list, then use parts number described in the parts list.
4. The contents described in the parts list may change due to improvement.
5. The parts for the machine shall be supplied within ten (10) years after the machine is discontinued. [It is possible that some specific parts may be subject to change of their delivery term and list price within the limit of ten (10) years after the machine is discontinued. And it is also possible that some parts may be available even after the limit of ten (10) years.]

APPLICABLE SERIAL NUMBERS:

30700101 and up

July 2013

Fig.1 ENGINE UNIT 01

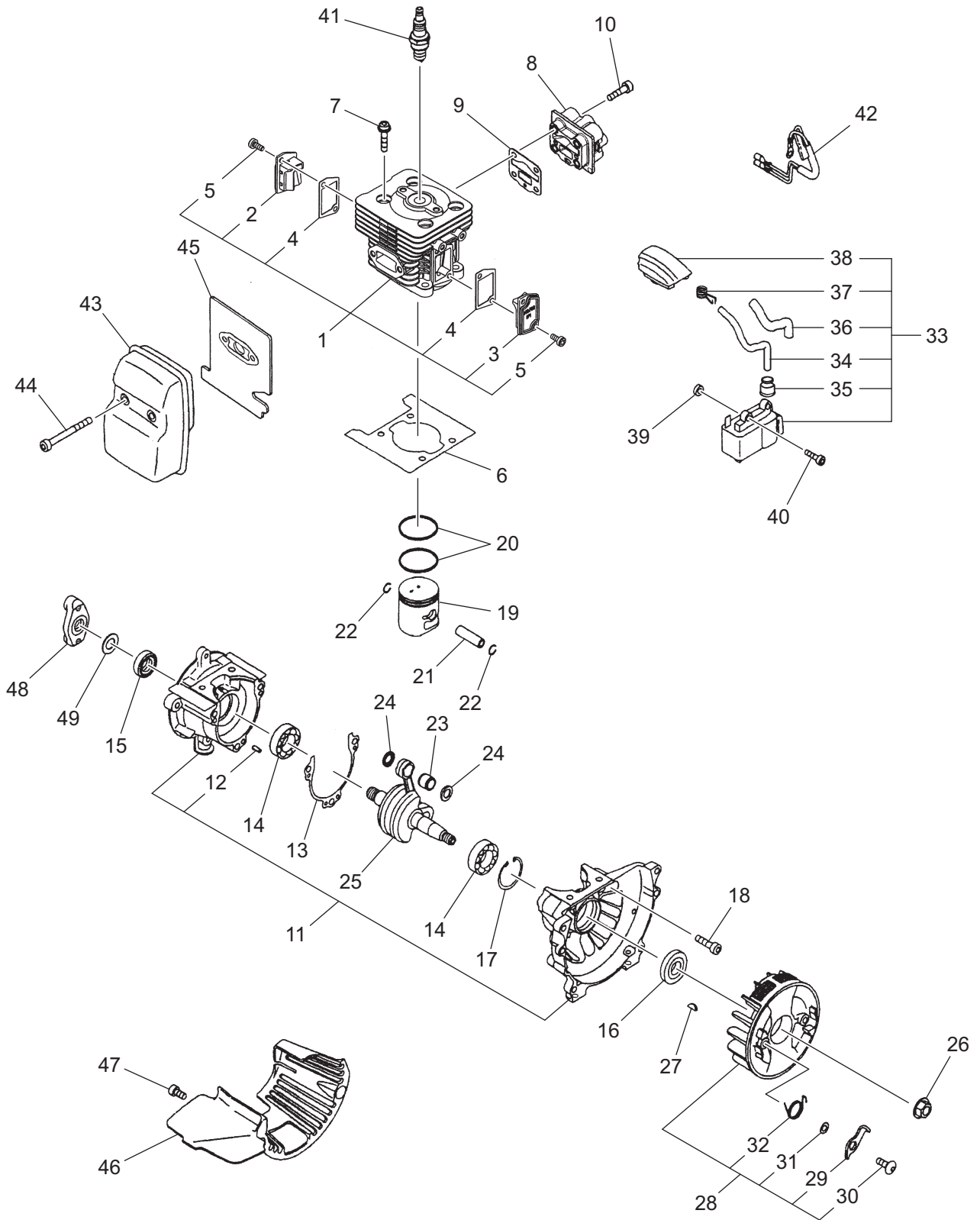


Fig. 1 HTZ1000

ENGINE UNIT 01

Key#	PART NUMBER	DESCRIPTION	Q'TY	REMARKS
1	848F081210	CYLINDER	1	
2	5066-54102	• COVER, TR(S)	1	
3	5066-54202	• COVER, TR(F)	1	
4	848F0812E0	• GASKET	2	
5	8488141000	• SCREW	4	M4 x 10-T27
6	848F0112B0	GASKET	1	
7	4820-12130	BOLT	4	M5 x 22-T27
8	848F0814A1	INSULATOR	1	
9	848F0814B2	GASKET, INSU	1	
10	T4950-52001	BOLT	4	M5 x 20-T27
11	848F012111	CRANKCASE	1	
12	2629-21130	• PIN	3	
13	T155121141	GASKET, CASE	1	
14	T1802-21240	BEARING	2	12 x 28 x 8
15	4810-21210	SEALING	1	12 x 22 x 7
16	1850-21220	OIL SEAL	1	12 x 28 x 7
17	04065-02812	RING	1	
18	4820-13180	SCREW	3	M5 x 20-T27
19	848F0841A2	PISTON	1	
20	8488C34101	RING	2	
21	1600-41310	PIN	1	
22	1260-41320	SNAP RING	2	
23	T1551-41410	BEARING	1	
24	1101-41340	WASHER	2	
25	848F014202	CRANKSHAFT	1	
26	1650-43230	NUT	1	
27	1000-43240	KEY	1	
28	848F0G7110	ROTOR ASSY	1	
29	2841-71120	• PAWL	2	
30	2850-71140	• SCREW	2	M5 x 12-T25
31	2850-71151	• WASHER	2	
32	T1501-71130	• SPRING	2	
33	848F0G7120	COIL ASSY	1	
34	848F0871D0	• CORD	1	L100
35	2616-71320	• CAP	1	
36	8488MX0700	• TUBE	1	L70
37	848F0871G0	• SPRING	1	
38	848F3071C2	• CAP	1	
39	1260-71261	SPACER	2	
40	4820-72150	BOLT	2	M4 x 16-T27
41	3699-91867	SPARK PLUG	1	NGK CMR7H
42	848F017210	CORD COMP	1	
43	848F0G15A0	MUFFLER	1	
44	4820-15310	BOLT	2	M5 x 50-T27
45	848F0G15C0	GASKET	1	
46	848F0015D1	PLATE	1	
47	4820-12350	BOLT	2	M5 x 10-T27
48	848F0151G0	PLATE	1	
49	2850-55211	WASHER	1	

Fig.2 ENGINE UNIT 02

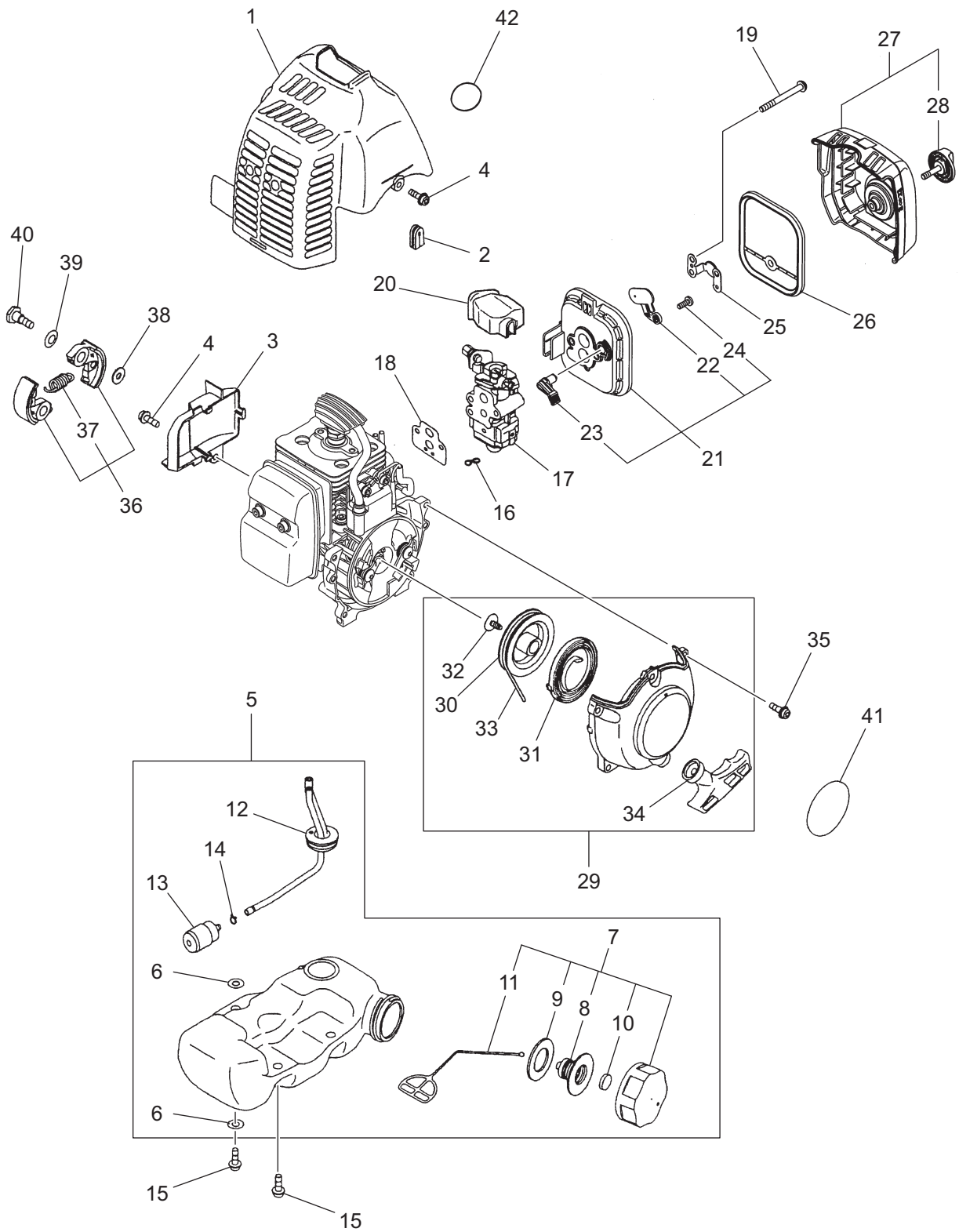


Fig. 2 HTZ1000

ENGINE UNIT 02

Key#	PART NUMBER	DESCRIPTION	Q'TY	REMARKS
1	848F0131A1	COVER	1	
2	4810-72120	GROMMET	1	
3	848F0131B1	DEFLECTOR	1	
4	4820-32120	BOLT	2	M5 x 16-T27
5	848F018503	TANK ASSY, EU	1	
6	T1501-85120	• PACKING	2	
7	T1015-85202	• CAP-A	1	
8	4500-85300	• • HOLDER-A	1	
9	4500-85220	• • PACKING	1	
10	5601-85260	• • FILTER	1	
11	4820-85260	• • STOPPER	1	
12	848F018530	• PIPE-C	1	
13	3306-85401	• FILTER	1	
14	1260-85460	• CLIP	1	
15	4820-32120	BOLT	3	M5 x 16-T27
16	1950-86120	CLIP	1	
17	848F0G8101	CARBURETOR ASSY	1	WYA-67A
18	T1590-13130	GASKET	1	
19	8488055000	SCREW	2	M5 x 50-T27
20	4500-81910	COVER	1	
21	848F118310	BODY-A	1	
22	848F1183C0	• PLATE, CHOKE	1	
23	848F1183D0	• LEVER, CHOKE	1	
24	2630-33610	• SCREW	1	T4 x12
25	575 75 04-01	PLATE	1	
26	848F7083T0	ELEMENT	1	
27	848F708321	COVER ASSY	1	
28	848F7083J0	• KNOB	1	
29	848F017511	RECOIL ASSY	1	
30	T1512-75120	• REEL	1	
31	T1501-75130	• SPRING	1	
32	1850-75151	• SCREW	1	
33	T1501-75160	• ROPE	1	
34	3330-75421	• KNOB	1	
35	4820-32120	BOLT	4	M5 x 16-T27
36	848EA05110	CLUTCH, ASSY	1	
37	T1700-51220	• SPRING	1	
38	1140-51230	WASHER	2	
39	1970-51241	WASHER	2	
40	848F0151H0	BOLT	2	
41	578 29 01-01	DECAL, RECOIL	1	HTZ750/1000
42	577 95 56-01	DECAL, STRATOCHARGED	1	STRATO CHARGED

Fig.3 CARBURETOR WYA-67A

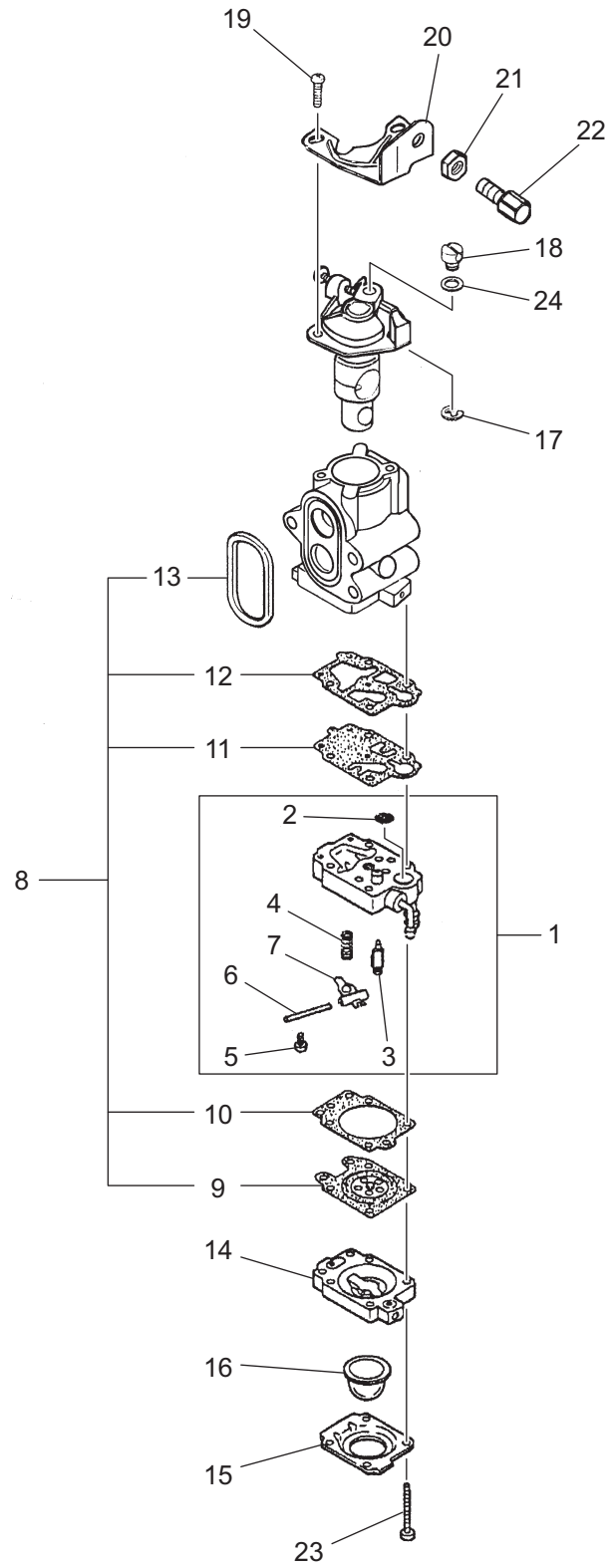


Fig.4 DRIVE UNIT

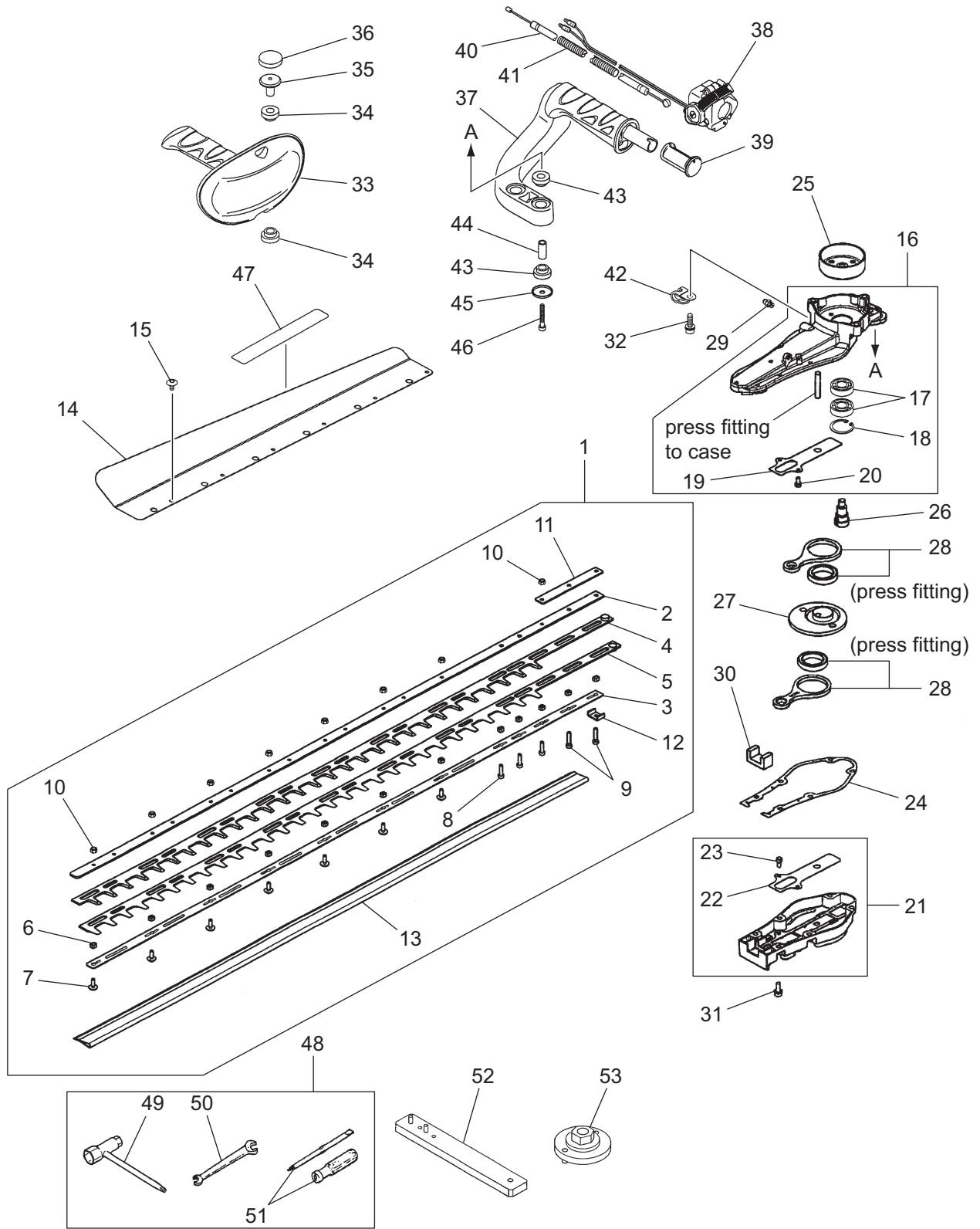


Fig. 4 HTZ1000

DRIVE UNIT

Key#	PART NUMBER	DESCRIPTION	Q'TY	REMARKS
1	848D506500	BLADE-ASSY	1	
2	848D5066A0	• PLATE, UPPER	1	L1150 x t3
3	848D5066B0	• PLATE, LOWER	1	L1122 x t1.25
4	848D5065B0	• BLADE, UPPER	1	L1165 x t2.5
5	848D5065A0	• BLADE, LOWER	1	L1165 x t2.5
6	T4521-11311	• SPACER	12	
7	574 61 00-01	• BOLT	7	M5 x 16-T27
8	4820-13180	• BOLT	3	M5 x 20-T27
9	574 61 01-01	• SCREW	2	M5 x 25-T27
10	T4531-11350	• NUT	8	
11	T4543-11410	• PLATE	1	L134 x t2.0
12	848D3066E1	• BRACKET	1	
13	848D3H68A0	• COVER	1	
14	848D5066F0	PLATE, RECEIVE	1	
15	575 27 55-01	SCREW	6	M5 x 10-T27
16	575 70 08-01	GEAR HOUSING, COMP	1	
17	84888C0280	• BEARING	2	
18	04065-02812	• RING	1	
19	848D3061B0	• PLATE	1	
20	8488141000	• BOLT	2	M4 x 10-T27
21	575 70 09-01	CAP, COMP	1	
22	848D3061B0	• PLATE	1	
23	8488141000	• SCREW	2	M4 x 10-T27
24	T4543-21220	GASKET	1	
25	848D305111	DRUM	1	
26	848D3Z62A0	GEAR, DRIVE	1	10T
27	848D3Z62B0	GEAR, DRIVE	1	45T
28	T4543-42100	ROD	2	
29	3199-13350	FITTING, 326ES	1	
30	T4543-42410	FELT	1	
31	575 70 10-01	SCREW	6	M5 x 16-T27
32	8488162500	BOLT	3	M6 x 25-T27
33	848D383212	HANDLE(R) COMP	1	
34	T4503-31210	ABSORBER	4	
35	T4503-31220	HOLDER	2	
36	T4503-31230	CAP	2	
37	584 90 93-01	HANDLE(L) COMP	1	
38	6420-14303	LEVER ASSY	1	
39	T3040-14511	COLLAR	1	
40	8488P00130	CABLE COMP	1	
41	6542-14510	TUBE	1	
42	8488K90000	CLAMP	1	
43	T4503-31210	ABSORBER	4	
44	T4503-32220	PIPE	2	
45	T4503-32230	WASHER	2	
46	8488153500	BOLT	2	M5 x 35-T27
47	578 29 10-02	DECAL, NAME	1	HTZ1000
48	575 71 18-01	TOOL KIT, ASSY	1	
49	T4017-91130	• COMBINATION WRENCH	1	16 x 19-T27
50	3540-91120	• SPANNER	1	8 x 10
51	1030-91340	• DRIVER	1	
52	T4531-94110	WRENCH	1	
53	T1666-96110	PULLER	1	