



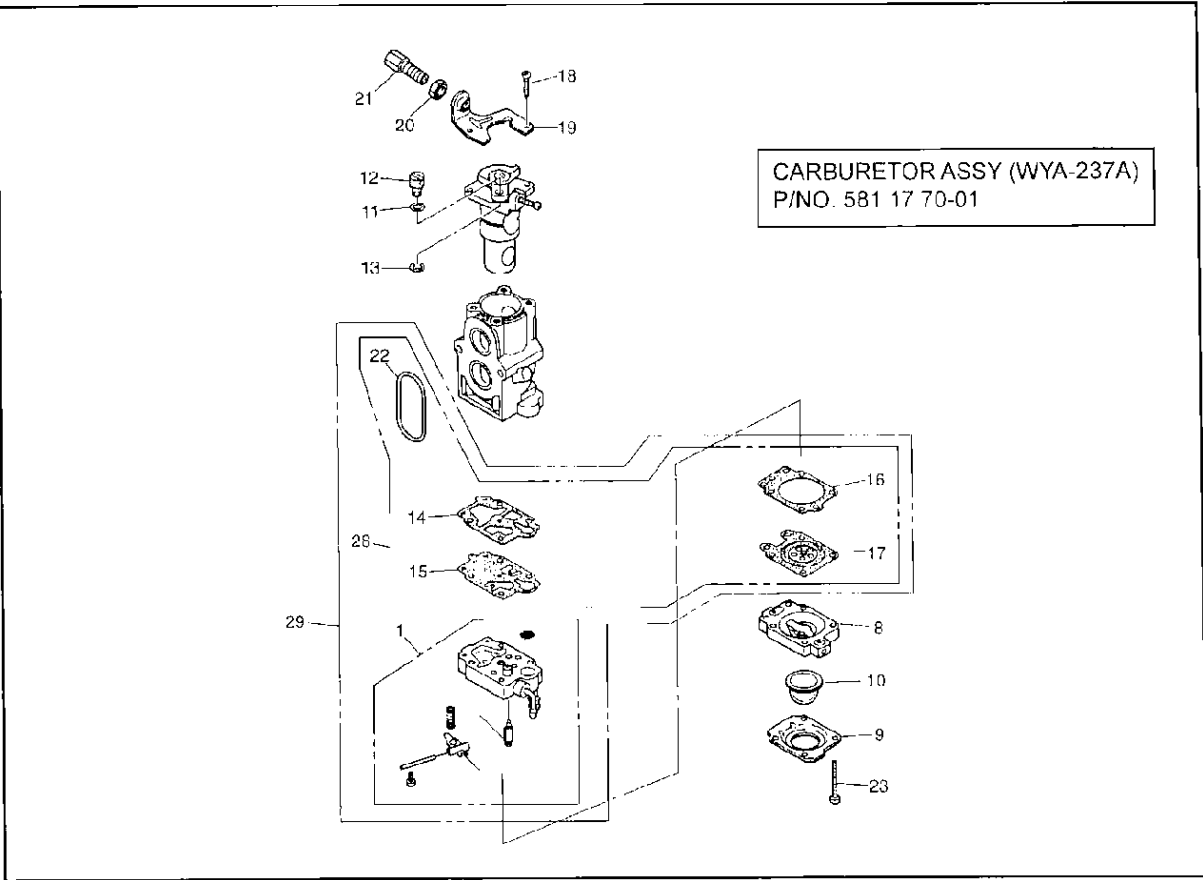
SPARE PARTS LIST

BLOWERS

EBZ8500, SN20174200101 AND UP,
2017-11

EBZ8500

Fig. 3 CARBURETOR COMPONENTS



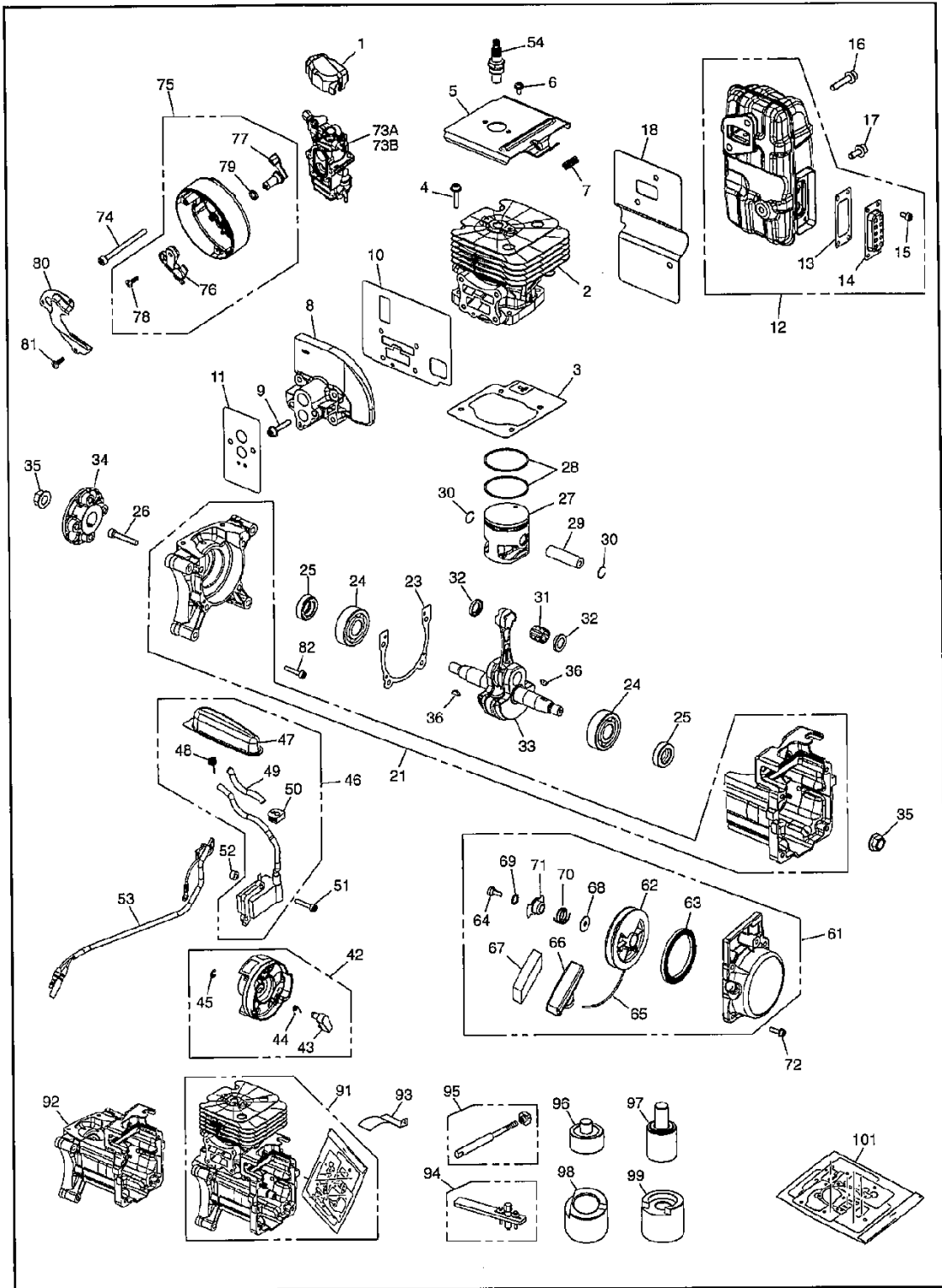
CARBURETOR DETAILS

EBZ8500, SN20174200101 AND UP, 2017-11

Ref	Part No	Description	Remark	QTY	KIT
1	544 36 35-01	BODY CARBURETTOR		1	29
8	506 74 09-01	BODY		1	
9	506 74 10-01	COVER		1	
10	505 30 67-01	PUMP		1	
11	506 74 61-01	WASHER		1	
12	506 74 12-01	SWIVEL		1	
13	506 73 86-01	RING		1	
14	506 74 51-01	GASKET		1	28, 29
15	506 68 98-01	DIAPHRAGM		1	28, 29
16	506 74 08-01	GASKET		1	28, 29
17	505 30 68-01	DIAPHRAGM		1	28, 29
18	505 30 79-01	SCREW		2	
19	506 74 60-01	BRACKET		1	
20	506 61 26-01	NUT		1	
21	506 74 13-01	SCREW		1	
22	521 63 15-01	RING		1	28, 29
23	506 74 11-01	SCREW		4	
28	511 45 95-01	GASKET KIT		1	
29	511 45 96-01	REBUILD KIT		1	

EBZ8500

Fig.2 ENGINE GROUP



ENGINE

EBZ8500, SN20174200101 AND UP, 2017-11

Ref	Part No	Description	Remark	QTY	KIT
1	506 74 42-01	COVER		1	
2	577 42 40-01	CYLINDER ASSY		1	
3	576 58 94-01	GASKET		1	
4	506 74 52-01	BOLT		4	
5	576 58 95-01	PLATE		1	
6	544 25 68-01	SCREW		2	
7	576 58 96-01	GROMMET		1	
8	578 10 83-01	INSULATOR		1	
9	576 58 98-01	BOLT		4	
10	577 69 48-01	GASKET		1	
11	577 08 96-01	GASKET		1	
12	585 04 42-01	MUFFLER ASSY		1	
13	585 04 44-01	SPARK ARRESTER		1	12
14	585 04 45-01	DIFFUSER		1	12
15	544 36 27-01	BOLT		4	12
16	576 59 07-01	BOLT		2	
17	576 59 08-01	BOLT		1	
18	576 59 09-01	GASKET		1	
21	576 59 11-01	CRANKCASE		1	
23	576 59 16-01	GASKET		1	
24	521 52 13-01	BEARING		2	
25	521 52 19-01	SEAL		2	
26	515 38 81-01	BOLT		4	
27	576 59 65-01	PISTON		1	
28	576 59 67-01	RING		2	
29	576 59 68-01	PIN		1	
30	521 53 19-01	SNAP RING		2	
31	576 69 64-01	BEARING		1	
32	521 52 05-01	WASHER		2	
33	576 59 19-01	CRANKSHAFT		1	
34	576 59 27-01	COUPLING		1	
35	513 24 19-01	NUT		2	
36	506 68 94-01	KEY		2	
42	587 65 51-01	ROTOR		1	
43	587 65 50-01	RATCHET		2	42
44	587 65 49-01	SPRING		2	42
45	587 65 48-01	RING		2	42
46	587 65 45-01	COIL		1	
47	587 65 42-01	SPARK PLUG CAP		1	46
48	506 65 52-01	SPRING		1	46
49	587 65 44-01	TUBE		1	46
50	515 41 53-01	GROMMET		1	46
51	579 38 30-01	BOLT		2	
52	588 17 14-01	SPACER		2	
53	576 59 38-01	CORD		1	
54	521 23 34-01	SPARK PLUG		1	
61	576 59 40-01	STARTER ASSY		1	
62	576 59 42-01	REEL		1	61
63	521 62 96-01	SPRING		1	61
64	515 36 71-01	SCREW		1	61
65	577 05 31-01	ROPE		1	61
66	521 63 00-01	KNOB		1	61
67	521 63 13-01	COVER		1	61
68	521 63 08-01	WASHER		1	61
69	521 63 12-01	WASHER		1	61
70	521 63 06-01	SPRING		1	61
71	521 63 03-01	PLATE		1	61
72	506 74 56-01	BOLT		4	
73	581 17 70-01	CARBURETTOR		1	
74	515 39 07-01	BOLT		2	
75	576 59 45-01	CUP		1	
76	576 59 47-01	PLATE		1	75
77	576 59 48-01	LEVER		1	75
78	580 30 90-01	SCREW		1	75

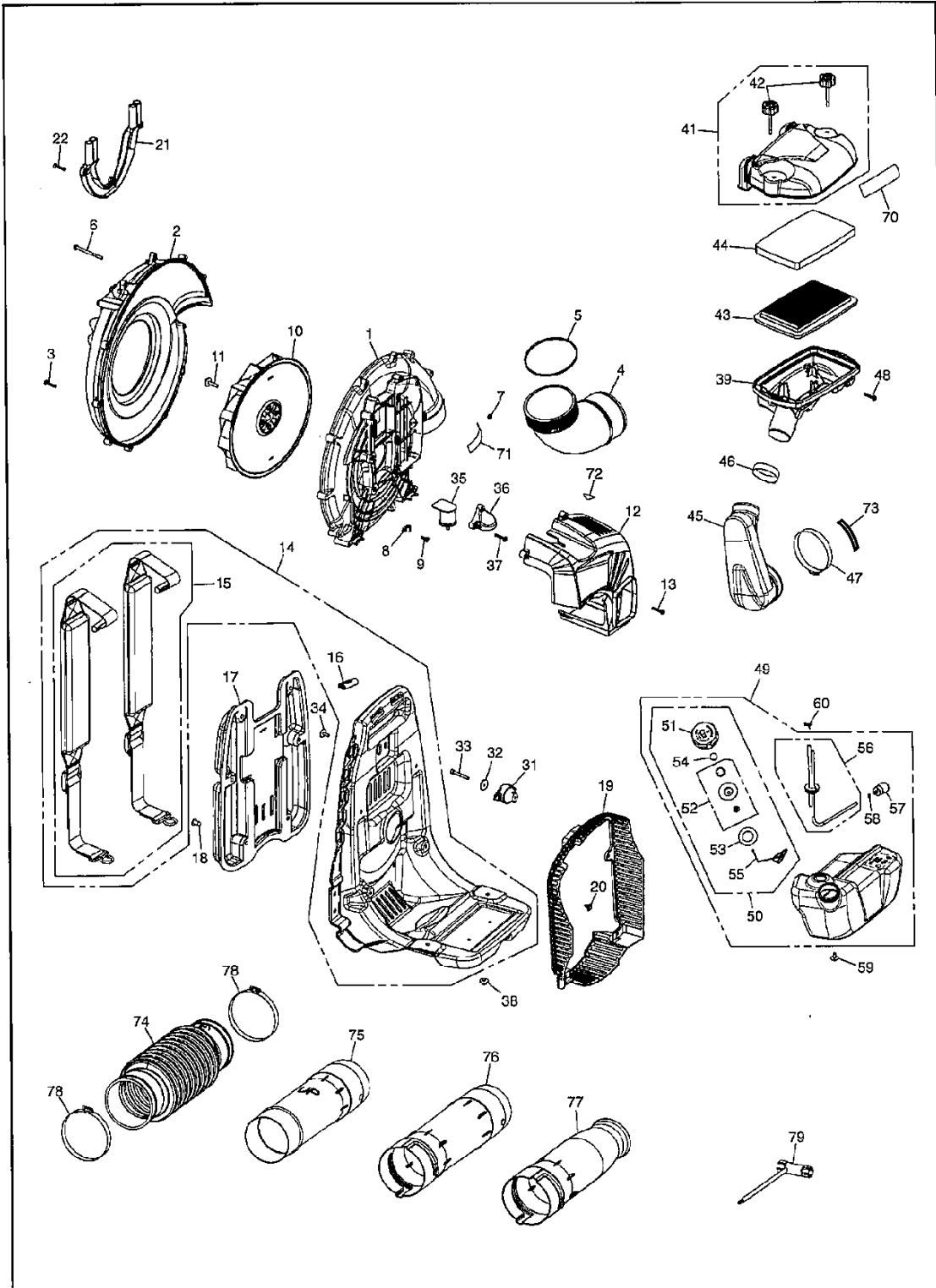
ENGINE

EBZ8500, SN20174200101 AND UP, 2017-11

Ref	Part No	Description	Remark	QTY	KIT
79	516 13 60-01	O-RING		1	75
80	582 90 00-01	PLATE		1	
81	506 67 38-01	SCREW		3	
82	576 56 43-01	BOLT		4	
91	579 65 58-01	SHORT BLOCK		1	
92	577 08 38-01	CRANKCASE		1	
93	513 67 37-01	GAUGE		1	
94	577 40 97-01	PULLER		1	
95	516 18 29-01	ROD-ASSY		1	
96	577 40 98-01	GUIDE		1	
97	577 40 99-01	GUIDE		1	
98	577 41 01-01	SUPPORT		1	
99	577 41 00-01	GUIDE		1	
101	577 08 37-01	GASKET	Kit	1	

EBZ8500

Fig.1 BLOWER GROUP



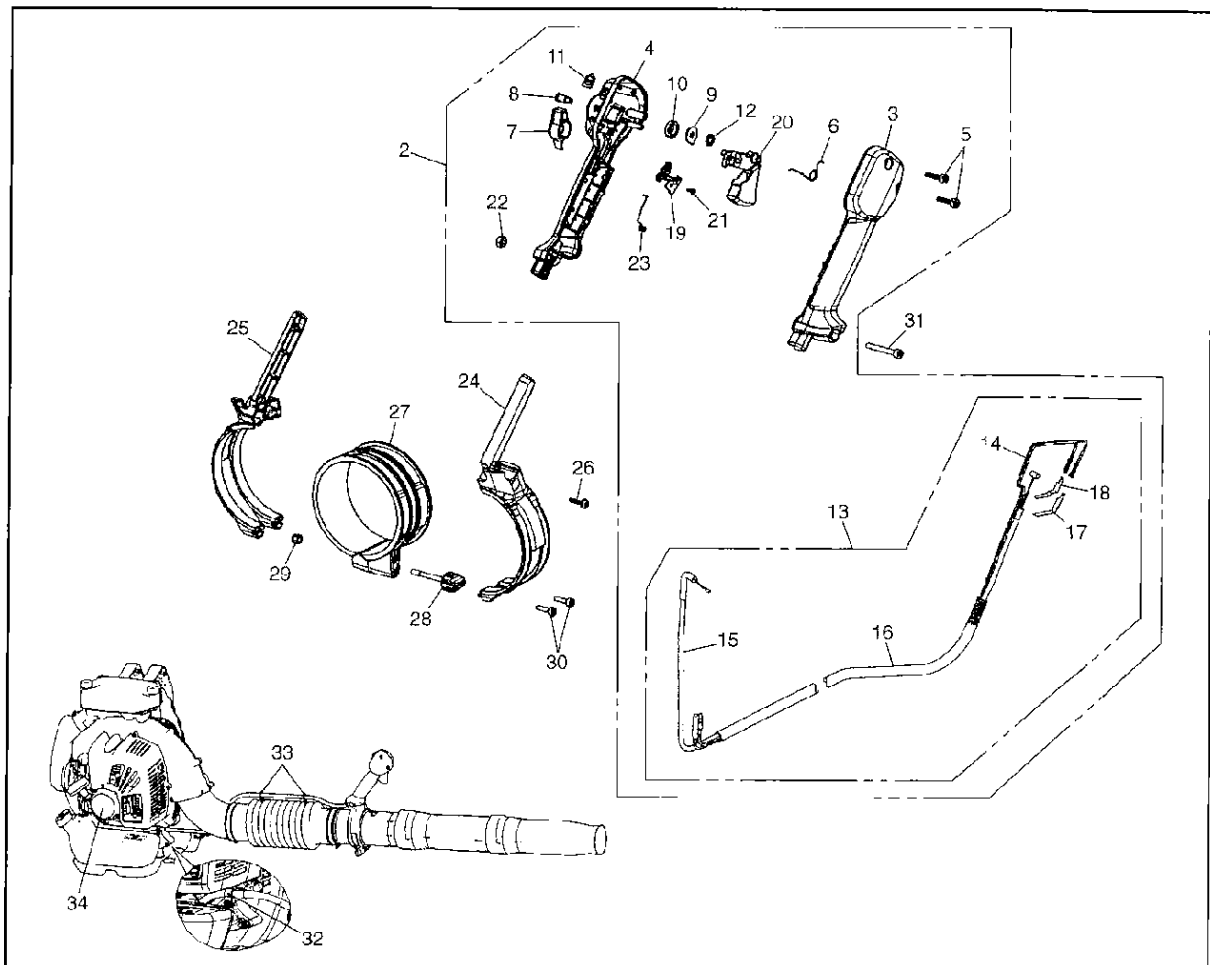
FRAME

EBZ8500, SN20174200101 AND UP, 2017-11

Ref	Part No	Description	Remark	QTY	KIT
1	586 24 59-01	VOLUTE		1	
2	576 57 45-01	VOLUTE		1	
3	512 84 81-01	SCREW		8	
4	576 56 14-01	ELBOW		1	
5	505 17 98-01	O-RING		1	
6	544 26 46-01	SCREW		2	
7	514 18 39-01	NUT		2	
8	521 52 51-01	CLAMP		2	
9	512 84 79-01	SCREW		2	
10	581 80 69-02	FAN		1	
11	576 56 16-01	BOLT		4	
12	576 56 17-01	ENGINE COVER		1	
13	512 84 81-01	SCREW		5	
14	579 28 22-01	FRAME		1	
15	521 67 89-01	BAND		2	14
16	544 27 00-01	CLIP		2	14
17	576 56 20-01	PAD		1	
18	526 47 67-01	CLIP		6	
19	576 57 48-01	NET		1	
20	526 24 39-01	CLIP		4	
21	576 57 46-01	COVER		1	
22	512 84 81-01	SCREW		3	
31	513 66 67-01	DAMPER		1	
32	577 35 79-01	WASHER		1	
33	521 51 72-01	BOLT		1	
34	544 27 08-01	SCREW		2	
35	576 56 22-01	DAMPER		2	
36	576 56 23-01	BRACKET		2	
37	512 84 81-01	SCREW		6	
38	513 66 75-01	NUT		2	
39	576 56 37-01	BODY		1	
41	576 57 50-01	COVER		1	
42	544 27 14-01	KNOB BOLT		2	
43	512 65 20-01	AIR FILTER		1	
44	512 65 41-01	AIR FILTER		1	
45	576 57 53-01	HOSE		1	
46	544 27 19-01	CLAMP		1	
47	544 27 40-01	CLAMP		1	
48	512 84 81-01	SCREW		4	
49	588 62 29-01	TANK ASSY		1	
50	504 11 77-01	TANK CAP ASSY		1	49
51	505 30 97-01	HUB CAP		1	49, 50
52	515 36 94-01	HOLDER		1	49, 50
53	506 74 43-01	PACKING		1	49, 50
54	506 74 68-01	FILTER		1	49, 50
55	504 11 79-01	HOLDER		1	49, 50
56	577 08 98-01	PIPE		1	49
57	506 74 26-01	FILTER		1	49
58	506 70 70-01	CLIP		1	49
59	577 62 88-01	SCREW		2	
60	506 74 15-01	CLIP		1	
70	576 57 59-01	DECAL		1	
71	592 72 46-01	DECAL		1	
72	521 55 36-01	LABEL		1	
73	587 11 16-01	DECAL		1	
74	576 56 47-01	HOSE		1	
75	576 56 48-01	PIPE		1	
76	576 56 49-01	PIPE			
77	576 57 64-01	PIPE			
78	544 27 41-01	CLAMP		2	
79	521 53 30-01	SOCKET		1	

EBZ8500

Fig.4 LEVER SET



THROTTLE CONTROLS

EBZ8500, SN20174200101 AND UP, 2017-11

Ref	Part No	Description	Remark	QTY KIT
2	579 42 14-01	LEVER ASSY		1
3	502 24 49-02	HANDLE HALF		1
4	502 24 48-02	HANDLE HALF		1
5	505 29 12-01	SCREW		2
6	537 17 42-01	SPRING THROTTLE TRIG		1
7	502 24 55-02	CONTROL		1
8	537 14 12-03	SHAFT PIVOT		1
9	505 18 15-01	WASHER		1
10	591 17 64-01	SPRING		1
11	502 64 17-01	PLATE		1
12	735 58 35-01	WASHER		1
13	576 78 56-01	WIRING ASSY		1
14	576 78 57-01	CORD		1
15	576 78 58-01	CABLE		1
16	577 75 69-01	TUBE		1
17	537 22 62-01	CONNECTOR		1
18	537 22 63-01	CONNECTOR		1
19	502 24 60-01	RETAINER		1
20	502 24 54-02	TRIGGER		1
21	505 29 10-01	SCREW	M3X6	1
22	510 91 12-01	NUT		1
23	505 56 79-01	SPRING		1
24	577 24 17-01	HANDLE HOLDER		1
25	577 24 18-01	HANDLE HOLDER		1
26	521 51 77-01	SCREW		1
27	576 56 54-01	COLLAR		1
28	576 56 55-01	KNOB		1
29	514 18 39-01	NUT		1
30	506 74 57-01	BOLT		2
31	521 51 71-01	BOLT	M5x35	1
32	504 12 23-01	CLIP		1
33	544 27 60-01	CLAMP		2
34	579 29 93-01	DECAL		1