



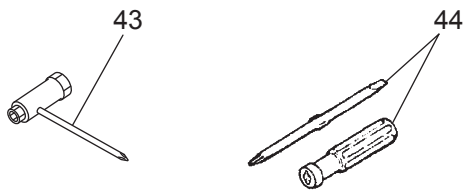
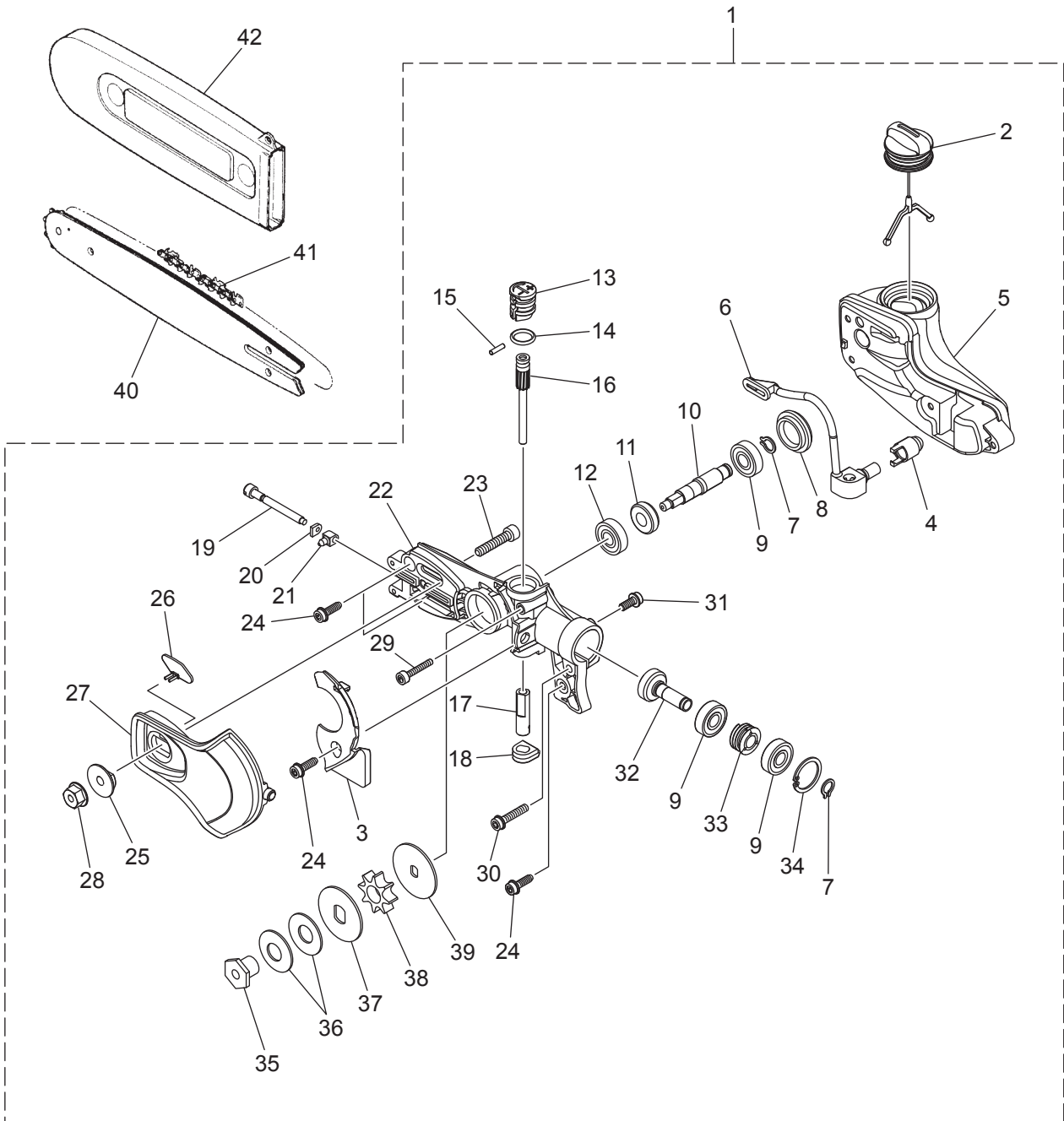
PARTS LIST

BRUSHCUTTER ATTACHMENT

PSZ-A

NOTE :

1. Use HUSQVARNA ZENOAH genuine parts as specified in the parts list for repair and/or replacement.
2. HUSQVARNA ZENOAH does not warrant the machines, which have been damaged by the use of any parts other than those specified by the company.
3. When placing parts orders for repair and/or replacement, check if the model name and the serial number are applicable to those specified in the parts list, then use parts number described in the parts list.
4. The contents described in the parts list are accurate as of the date and may change due to improvement.
5. The parts for the machine shall be supplied ten (10) years after the machine is discontinued. [It is possible that some specific parts may be subject to change of their delivery term and list price within the limit of ten (10) years after the machine is discontinued. It is also possible that some parts may be available even after the limit of ten (10) years.]



PSZ-A

| Key# | PART NUMBER | DESCRIPTION | Q'TY | REMARKS |
|------|--------------|-----------------------------|------|---------------|
| 1 | 575 78 43-11 | POLE SAW HEAD | 1 | |
| 2 | 505 41 52-05 | • TANK CAP ASSY | 1 | |
| 3 | 525 61 31-02 | • COVER, INNER | 1 | |
| 4 | 510 04 43-01 | • OIL SCREEN | 1 | |
| 5 | 525 48 11-01 | • OIL TANK ASSY | 1 | |
| 6 | 525 49 06-01 | • OIL HOSE | 1 | |
| 7 | 735 31 11-00 | • CIRCLIP | 2 | |
| 8 | 574 82 98-01 | • COVER, GEAR HOUSING | 1 | |
| 9 | 578 36 44-01 | • BALL BEARING | 3 | |
| 10 | 525 49 04-01 | • SHAFT | 1 | |
| 11 | 575 35 56-01 | • GEAR WHEEL | 1 | |
| 12 | 738 21 00-04 | • BALL BEARING | 1 | |
| 13 | 525 48 16-02 | • KNOB, OIL PUMP ADJUSTMENT | 1 | |
| 14 | 740 43 10-14 | • O-RING | 1 | |
| 15 | 503 24 09-11 | • NEEDLE ROLLER | 1 | |
| 16 | 540 05 79-01 | • PUMP PISTON | 1 | |
| 17 | 537 15 48-01 | • PUMP CYLINDER | 1 | |
| 18 | 576 39 59-01 | • FASTENER, OIL PUMP | 1 | |
| 19 | 501 81 92-01 | • SCREW, TENSION | 1 | |
| 20 | 501 45 27-02 | • LOCK NUT | 1 | |
| 21 | 580 65 32-01 | • PAWL | 1 | |
| 22 | 523 85 37-02 | • GEAR HOUSING | 1 | |
| 23 | 576 83 10-01 | • SCREW | 1 | |
| 24 | 573 92 58-01 | • SCREW | 4 | |
| 25 | 525 49 07-01 | • BUSHING | 1 | |
| 26 | 574 40 47-01 | • RUBBER | 1 | |
| 27 | 525 48 14-02 | • COVER, CHAIN | 1 | |
| 28 | 503 22 00-07 | • HEXAGON NUT | 4 | |
| 29 | 525 76 09-05 | • SCREW | 1 | |
| 30 | 525 75 51-04 | • SCREW | 1 | |
| 31 | 525 75 51-05 | • SCREW | 1 | |
| 32 | 575 35 55-02 | • PINION | 1 | |
| 33 | 525 48 97-01 | • WORM GEAR | 1 | |
| 34 | 735 31 25-10 | • CIRCLIP | 1 | |
| 35 | 580 76 04-01 | • NUT | 1 | |
| 36 | 581 12 61-01 | • DISC SPRING | 2 | |
| 37 | 576 74 00-02 | • WASHER | 1 | φ 37.5 |
| 38 | 580 76 05-02 | • SPUR SPROCKET | 1 | FOR 1/4 CHAIN |
| 39 | 586 82 58-02 | • WASHER | 1 | φ 25 BRONZE |
| 40 | 580 81 43-01 | BAR | 1 | 10 INCH SP |
| 41 | 3699-91680 | CHAIN | 1 | 25AP 58E 1/4P |
| 42 | 3622-52310 | PROTECTOR | 1 | |
| 43 | 577 87 34-01 | WRENCH | 1 | 13x19 T27 |
| 44 | 1030-91340 | DRIVER | 1 | |