



PARTS LIST

CHAIN SAW

G5200

NOTE :

1. Use HUSQVARNA ZENOAH genuine parts as specified in the parts list for repair and/or replacement.
2. HUSQVARNA ZENOAH does not warrant the machines, which have been damaged by the use of any parts other than those specified by the company.
3. When placing parts orders for repair and/or replacement, check if the model name and the serial number are applicable to those specified in the parts list, then use parts number described in the parts list.
4. The contents described in the parts list are accurate as of the date and may change due to improvement.
5. The parts for the machine shall be supplied ten (10) years after the machine is discontinued. [It is possible that some specific parts may be subject to change of their delivery term and list price within the limit of ten (10) years after the machine is discontinued. It is also possible that some parts may be available even after the limit of ten (10) years.]

Fig.1 POWER UNIT

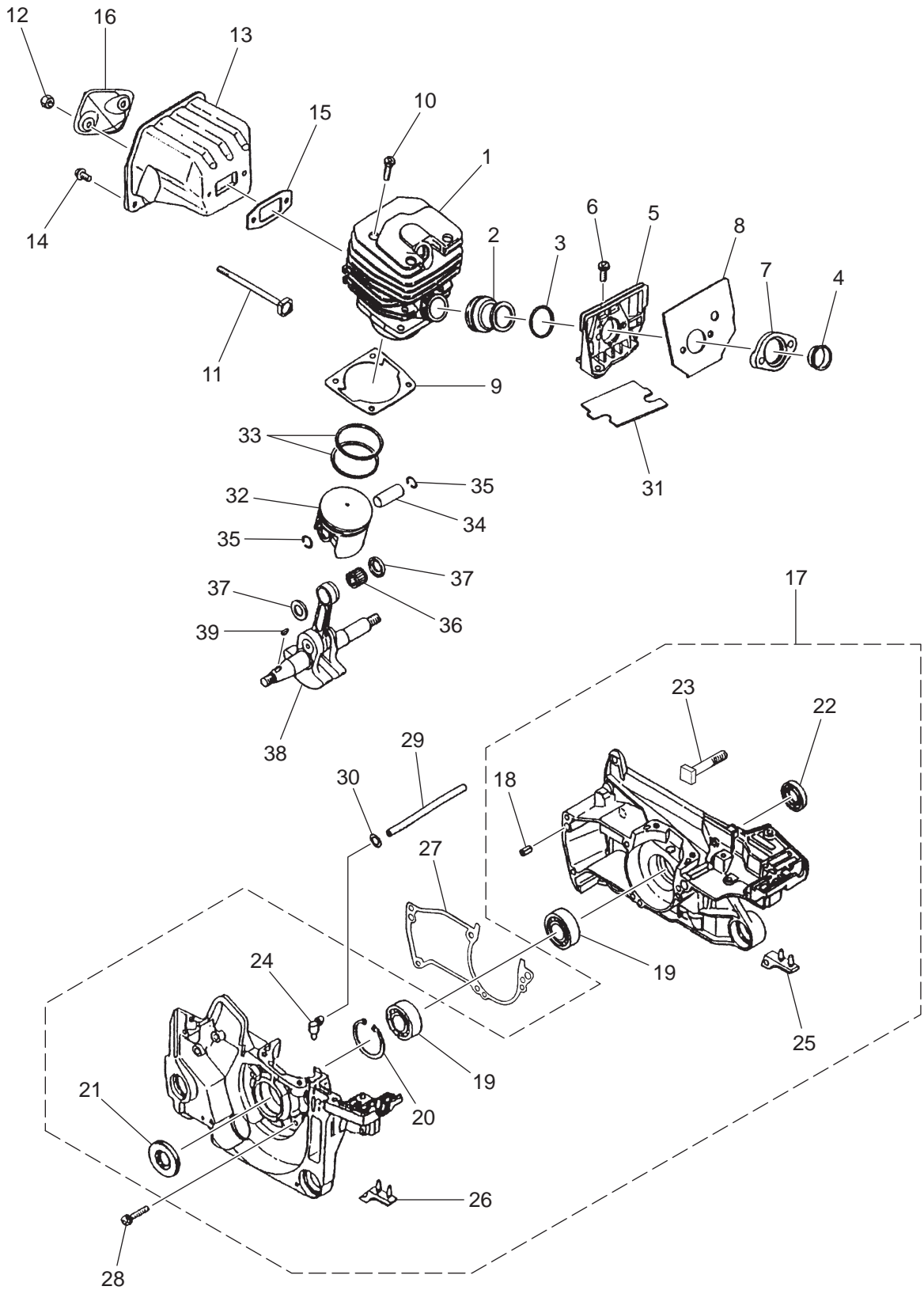


Fig. 1 G5200

POWER UNIT

Key#	PART NUMBER	DESCRIPTION	Q'TY	REMARKS
1	2880-12111	CYLINDER	1	ø45
2	2880-14111	INLET PIPE	1	
3	2880-14120	SPRING	1	
4	2880-14150	INNER GUIDE	1	
5	2670-14311	BRACKET	1	
6	578 46 83-01	SCREW	2	M5X14
7	2880-14350	SPACER	1	
8	2880-14361	GASKET	1	
9	2670-14211	GASKET, CYLINDER	1	
10	4820-13180	BOLT, CYLINDER	4	M5X20
11	2810-15220	BOLT, MUFFLER	2	M5X83
12	2850-15230	NUT, MUFFLER	2	M5
13	587 35 61-01	MUFFLER	1	
14	2670-14130	SCREW	2	M5X10
15	3356-15210	GASKET, MUFFLER	1	
16	2810-15310	COVER	1	
17	588 80 02-01	CRANKCASE ASSY	1	
18	3356-21130	• SPRING PIN	3	
19	T4012-21240	• BEARING	2	15X35X11
20	04065-03515	• SNAP RING	1	ø35
21	2670-21210	• OIL SEAL	1	15X35X4.5
22	2670-21220	• OIL SEAL	1	15X28X4.5
23	2850-21230	• STUD	2	
24	2670-21250	• ELBOW	1	
25	2810-22511	• STOPPER	1	
26	2810-22521	• STOPPER	1	
27	848C8021D2	GASKET, CASE	1	
28	2670-21320	SCREW	5	M5X25
29	595 52 70-05	PIPE	1	3X7X105
30	3310-82230	CLIP	1	
31	2810-22411	MAT	1	
32	2880-41110	PISTON	1	ø45
33	2880-41210	PISTON RING	2	ø45
34	8488BB3800	PISTON PIN	1	7.4X11X37.5
35	3350-41320	SNAP RING	2	
36	1400-41410	NEEDLE BEARING	1	11X15X12.3
37	2670-41510	WASHER	2	
38	848C8A4202	CRANKSHAFT COMP.	1	
39	1000-43240	KEY	1	

Fig.2 IGNITION,STARTING

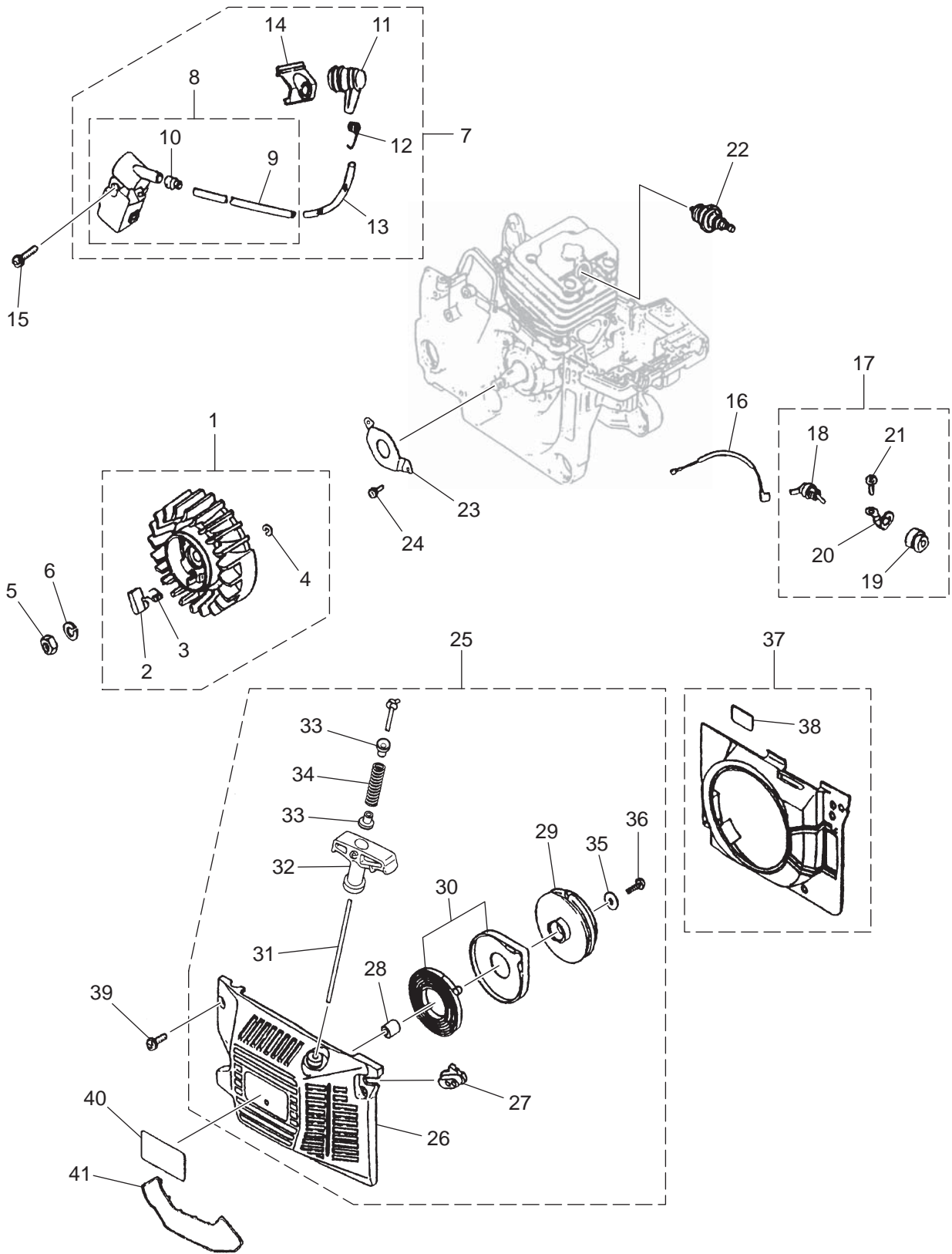


Fig. 2 G5200

IGNITION,STARTING

Key#	PART NUMBER	DESCRIPTION	Q'TY	REMARKS
1	2670-71101	ROTOR ASSY	1	
2	1850-75220	• RATCHET.	2	
3	2670-71130	• SPRING	2	
4	0308-00040	• RING	2	
5	3350-43231	NUT	1	M8
6	0290-20820	WASHER	1	M8
7	2880-71300	COIL ASSY	1	
8	2810-71204	• COIL COMP.	1	
9	2810-71220	• • CORD	1	
10	2670-71230	• • GROMMET	1	
11	2810-72110	• PLUG CAP	1	
12	1400-72121	• SPRING	1	
13	2670-71320	• TUBE	1	
14	2810-71250	• GROMMET	1	
15	8488152010	SCREW	2	M5X20
16	2670-71510	CORD	1	
17	2880-71600	SWITCH ASSY	1	
18	2810-71610	• SWITCH	1	
19	2670-71621	• SWITCH COVER	1	
20	2880-71630	• PLATE	1	
21	2670-14130	• SCREW	1	M5X10
22	3699-90512	SPARK PLUG (NGK BPM8Y)	1	
23	2810-21270	PLATE	1	
24	0260-30410	SCREW	2	M4X10
25	2881-75000	STARTER ASSY	1	
26	2810-75110	• RECOIL CASE COMP.	1	
27	2810-75120	• GUIDE	1	
28	2810-75150	• BOSS	1	
29	2670-75212	• REEL	1	
30	3317-75300	• SPRING COMP.	1	
31	2670-75411	• ROPE	1	
32	T2041-75420	• KNOB	1	
33	T2041-75431	• COLLAR	2	
34	2881-75440	• SPRING B	1	
35	1400-86280	• WASHER	1	
36	8488152010	• SCREW	1	
37	2880-75600	FAN COVER COMP.	1	
38	2880-75620	• SHEET	1	
39	578 46 83-01	SCREW	4	
40	848C8C90C2	LABEL, RECOIL	1	
41	2881-98611	SNOW PROTECTOR	1	OP

#605245~

(for Auto Return Choke & Semi Auto Return Choke)
Confirm your the Serial Number.

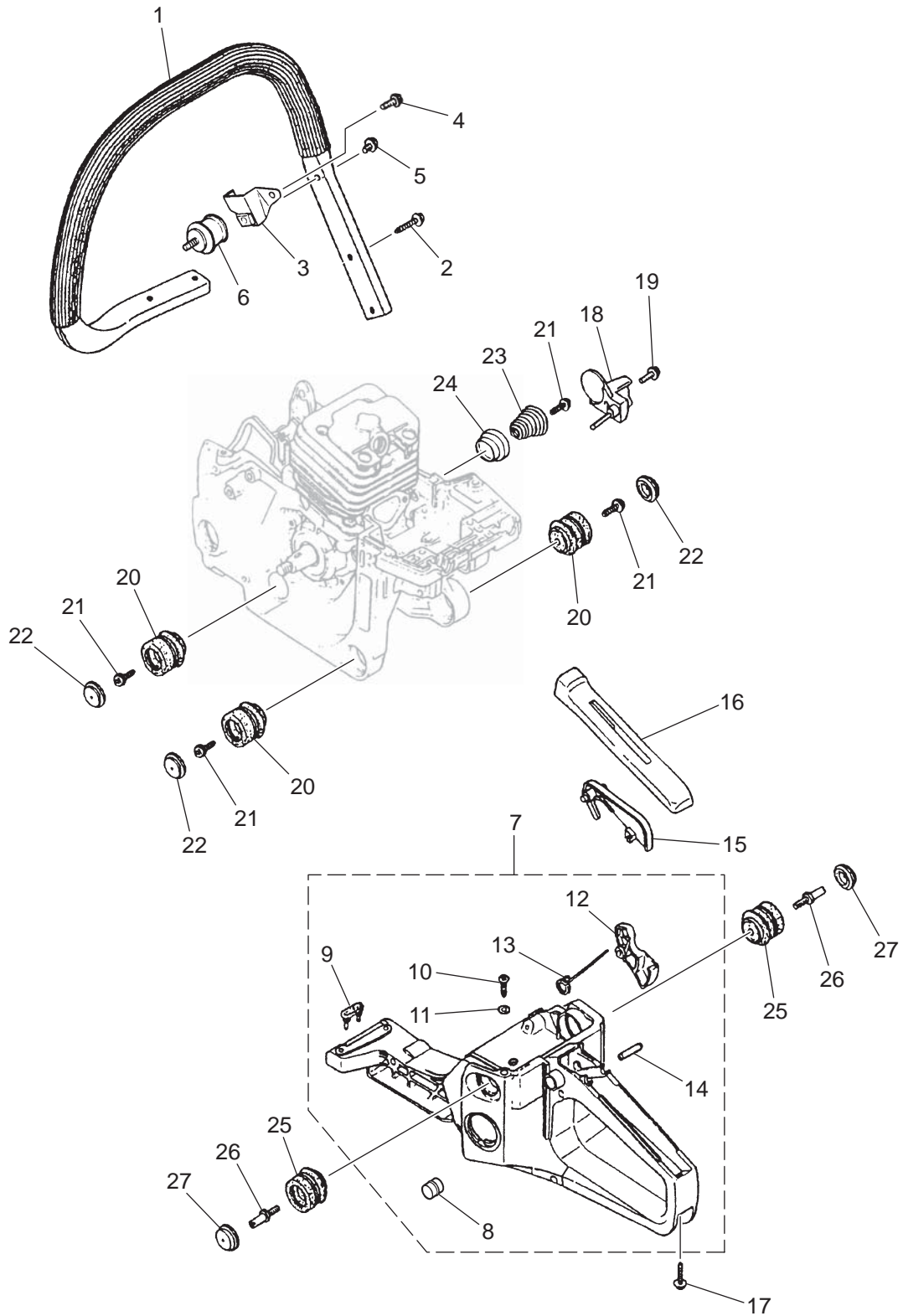


Fig. 3a G5200

HANDLE (S/N 605245 and up)

Key#	PART NUMBER	DESCRIPTION	Q'TY	REMARKS
1	2880-32101	LEFT HANDLE COMP.	1	
2	8488251901	SCREW	4	M5X19 BT
3	2880-32250	BRACKET	1	
4	2670-14130	SCREW	1	M5X10
5	2880-32270	SCREW	1	M5X8
6	2880-31211	DAMPER	1	
7	848C803308	RIGHT HANDLE ASSY	1	
8	848C8033Y0	• PLUG	1	
9	2810-33280	• DAMPER (A)	1	
10	2670-75520	• SCREW	1	
11	2810-33211	• GASKET	1	
12	848C8033C2	• THROTTLE LEVER	1	
13	3356-33321	• THROTTLE SPRING	1	
14	4025-00524	• SPRING PIN	1	O5.2X24
15	848C3033E3	ARM	1	
16	2670-34110	GRIP COVER	1	
17	8488251901	SCREW	1	M5X19 BT
18	2810-25210	CHAIN CATCHER	1	
19	578 46 83-01	SCREW	1	M5X14
20	2880-35111	DAMPER	3	
21	8488251601	SCREW	4	M5X16 BT
22	2810-35150	DAMPER CAP	3	
23	2881-35110	SPRING	1	
24	2881-35120	SPACER	1	
25	2880-35211	DAMPER	2	
26	3350-35170	BOLT	2	
27	2880-35250	CAP	2	

~ #605244

(NOT for Auto Return Choke & Semi Auto Return Choke)
Confirm your the Serial Number.

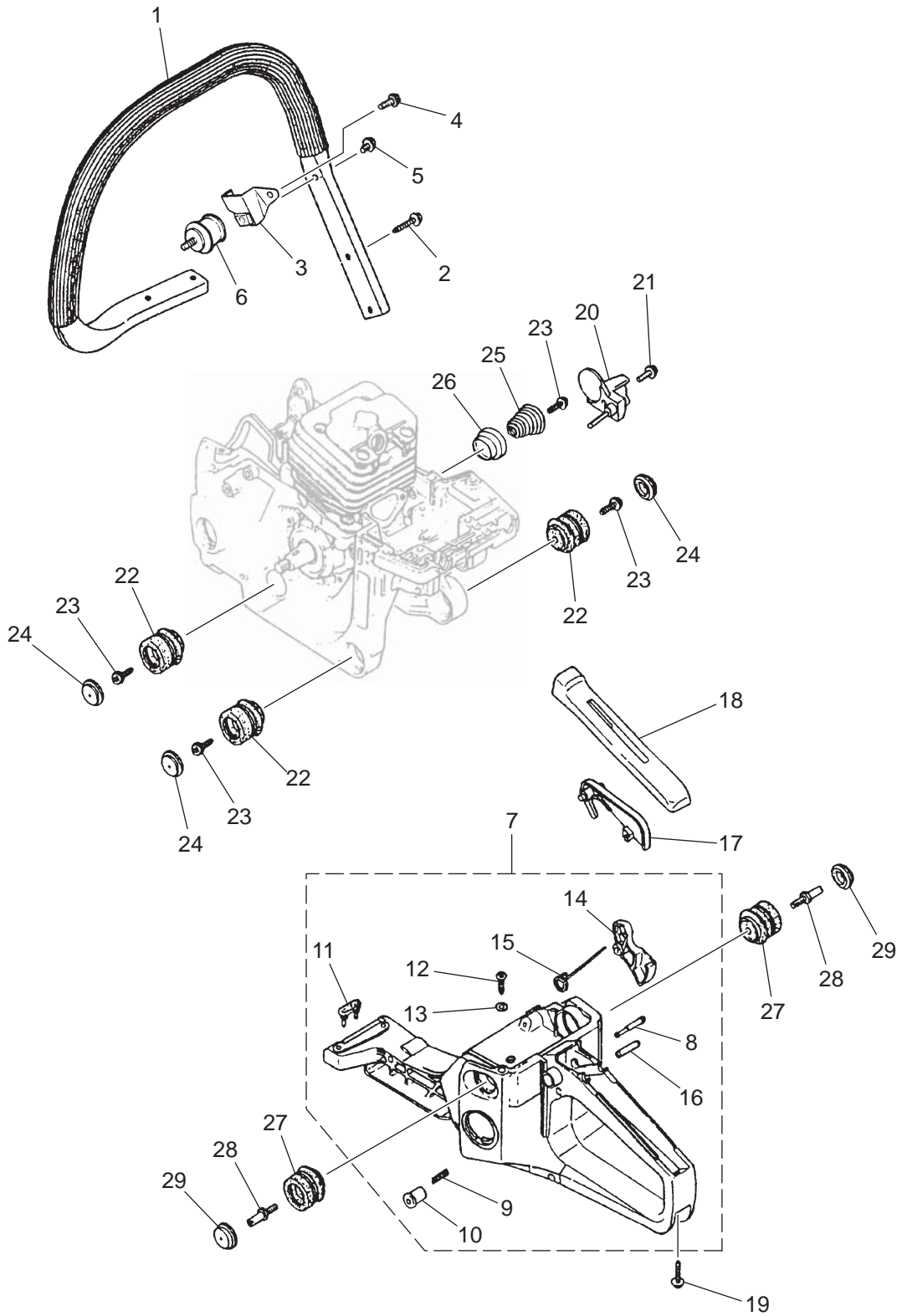


Fig. 3b G5200

HANDLE (S/N 605244 and below)

Key#	PART NUMBER	DESCRIPTION	Q'TY	REMARKS
1	2880-32101	LEFT HANDLE COMPLETE	1	
2	8488251901	SCREW	4	M5X19 BT
3	2880-32250	BRACKET	1	
4	2670-14130	SCREW	1	M5X10
5	2880-32270	SCREW	1	M5X8
6	2880-31211	DAMPER	1	
7	2810-33007	RIGHT HANDLE ASSEMBLY	1	
8	3330-33250	• STOPPER	1	
9	3310-33262	• SPRING	1	
10	3310-33271	• KNOB	1	
11	2810-33280	• DAMPER (A)	1	
12	2670-75520	• SCREW	1	
13	2810-33211	• GASKET	1	
14	848C8033C2	• THROTTLE LEVER	1	
15	3356-33321	• THROTTLE SPRING	1	
16	4025-00524	• SPRING PIN	1	ø5.2X24
17	848C3033E3	ARM	1	
18	2670-34110	GRIP COVER	1	
19	8488251901	SCREW	1	M5X19 BT
20	2810-25210	CHAIN CATCHER	1	
21	578 46 83-01	SCREW	1	M5X14
22	2880-35111	DAMPER	3	
23	8488251601	SCREW	4	M5X16 BT
24	2810-35150	DAMPER CAP	3	
25	2881-35110	SPRING	1	
26	2881-35120	SPACER	4	
27	2880-35211	DAMPER	2	
28	3350-35170	BOLT	2	
29	2880-35250	CAP	2	

Fig.4 FUELING SYSTEMS

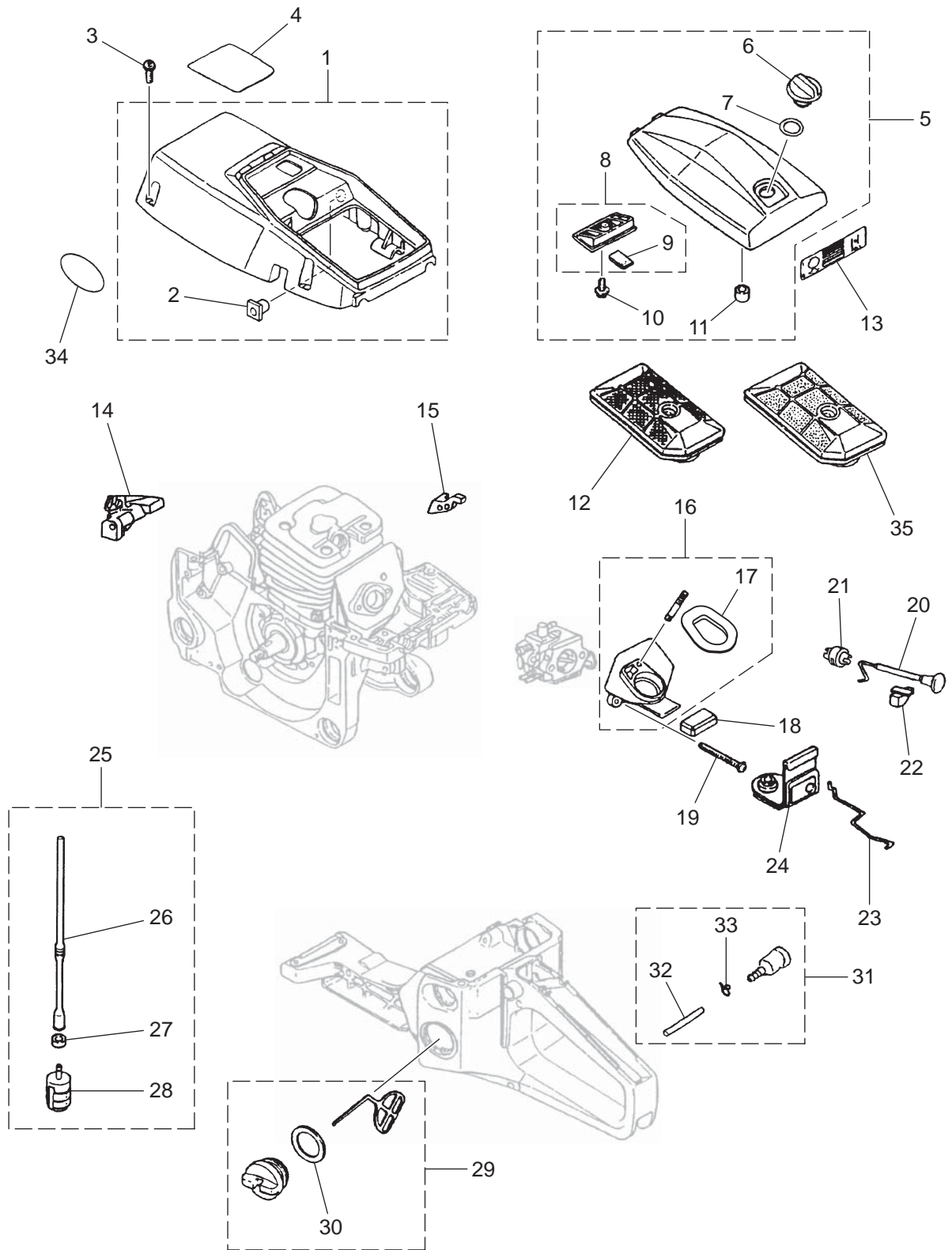


Fig. 4 G5200

FUELING SYSTEMS

Key#	PART NUMBER	DESCRIPTION	Q'TY	REMARKS
1	848C8A3122	CYLINDER COVER	1	
2	2880-31120	• NUT	1	
3	578 46 83-01	SCREW	5	M5X14
4	578 39 01-01	DECAL, CAUTION	1	
5	588 80 06-01	CLEANER COVER COMP.	1	
6	3356-83322	• KNOB	1	
7	3388-83340	• GASKET CAP	1	
8	2810-83500	• AIR CLEANER COMP.	1	
9	2810-83520	• • SEAL	1	
10	1600-33130	• SCREW	1	
11	2810-83410	• GROMMET AIR CLEANER	1	
12	2810-83101	AIR CLEANER COMP.	1	
13	2813-31210	LABEL	1	
14	2880-82310	GUIDE (I)	1	
15	2880-82350	GUIDE (HL)	1	
16	588 80 00-01	MANIFOLD COMP.	1	
17	588 80 01-01	• SEAL	1	
18	2810-82141	SUPPORTER	1	
19	2880-82210	SCREW	2	M5X52
20	2880-82410	CHOKE ROD	1	
21	848C8082G0	GROMMET, CHOKE	1	
22	2670-82430	GUIDE	1	
23	2880-82511	THROTTLE ROD	1	
24	2810-82520	GROMMET, THROTTLE	1	
25	848C808539	FUEL PIPE ASSY	1	
26	848C808591	• FUEL PIPE	1	
27	2850-34350	• COLLAR	1	
28	3302-85400	• FILTER ASSY	1	
29	2670-34401	TANK CAP ASSY	1	
30	2670-34430	• GASKET TANK CAP	1	
31	2670-34500	BREATHER ASSY	1	
32	3350-34540	• PIPE	1	
33	1260-85460	• CLIP	1	
34	T2041-75810	LABEL	1	
35	2811-98501	AIR CLEANER COMP.	1	OP(FELT)

Fig.5 OIL SYSTEM,CLUTCH

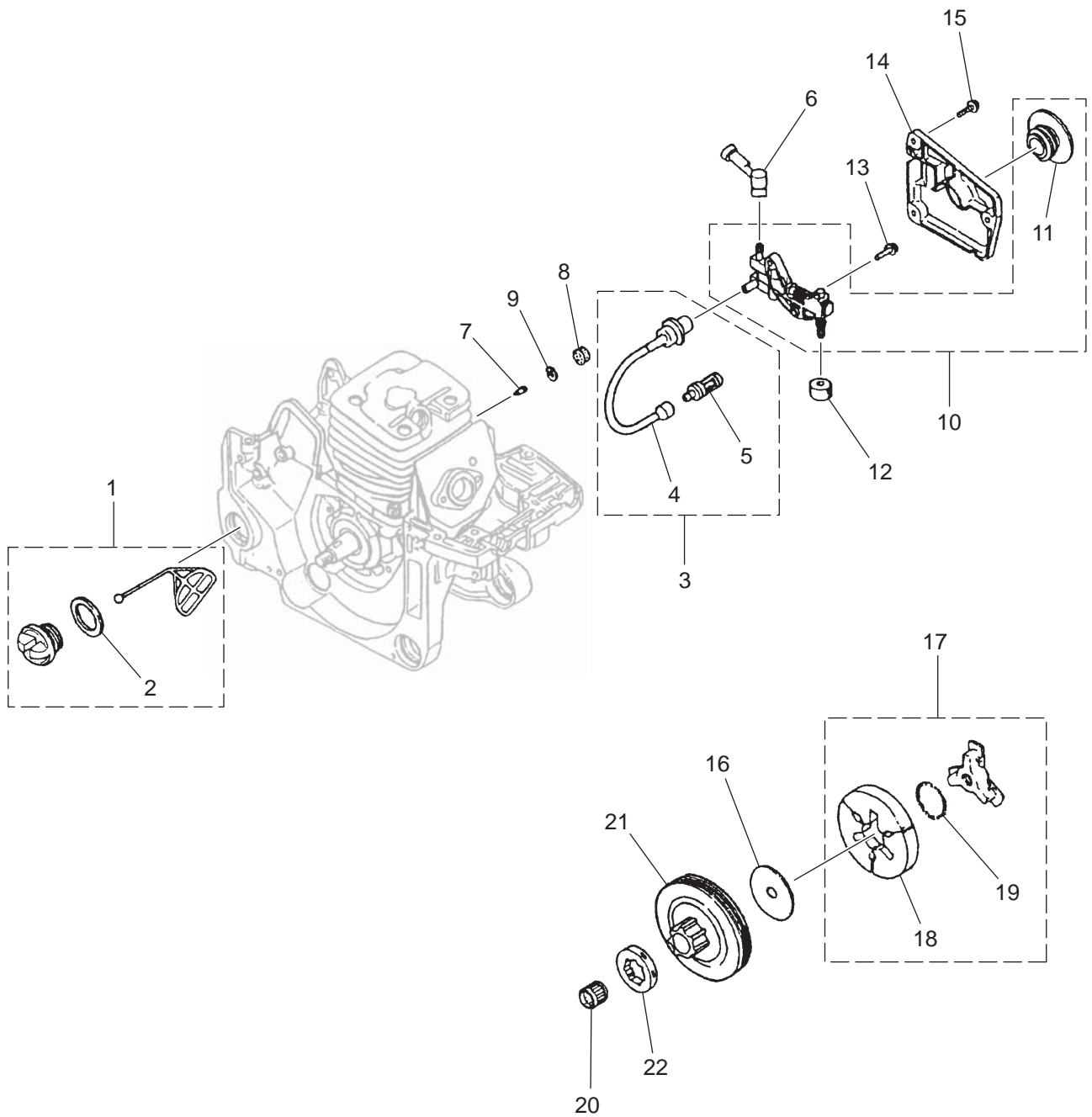


Fig. 5 G5200

OIL SYSTEM,CLUTCH

Key#	PART NUMBER	DESCRIPTION	Q'TY	REMARKS
1	848C108512	OIL CAP ASSY	1	
2	2841-31820	• GASKET CAP	1	
3	848C806732	OIL PIPE COMPETE	1	
4	2670-23120	• PIPE	1	
5	848C806742	• OIL FILTER	1	
6	2670-23210	PIPE	1	
7	3330-23121	VALVE	1	
8	3350-26220	SEAL	1	
9	3350-26230	CLIP	1	
10	848CA60640	OIL PUMP SET	1	
11	848CA667B0	• OIL PUMP • WORM GEAR	1 1	
12	2670-55220	SEAL	1	
13	2670-55410	SCREW	2	M4X14
14	2670-55610	PUMP COVER	1	
15	2670-55410	SCREW	3	M4X14
16	2670-51210	PLATE	1	
17	848C805121	CLUTCH ASSY	1	
18	3317-51220	• CLUTCH SHOE	3	
19	3317-51231	• SPRING	1	
20	2810-51310	NEEDLE BEARING	1	12X15X14
21	2880-51110	CLUTCH DRUM	1	
22	3350-51121	RIM	1	325P

Carburetor Model: WT-943 (Semi Auto Return Choke)
(#809318~)

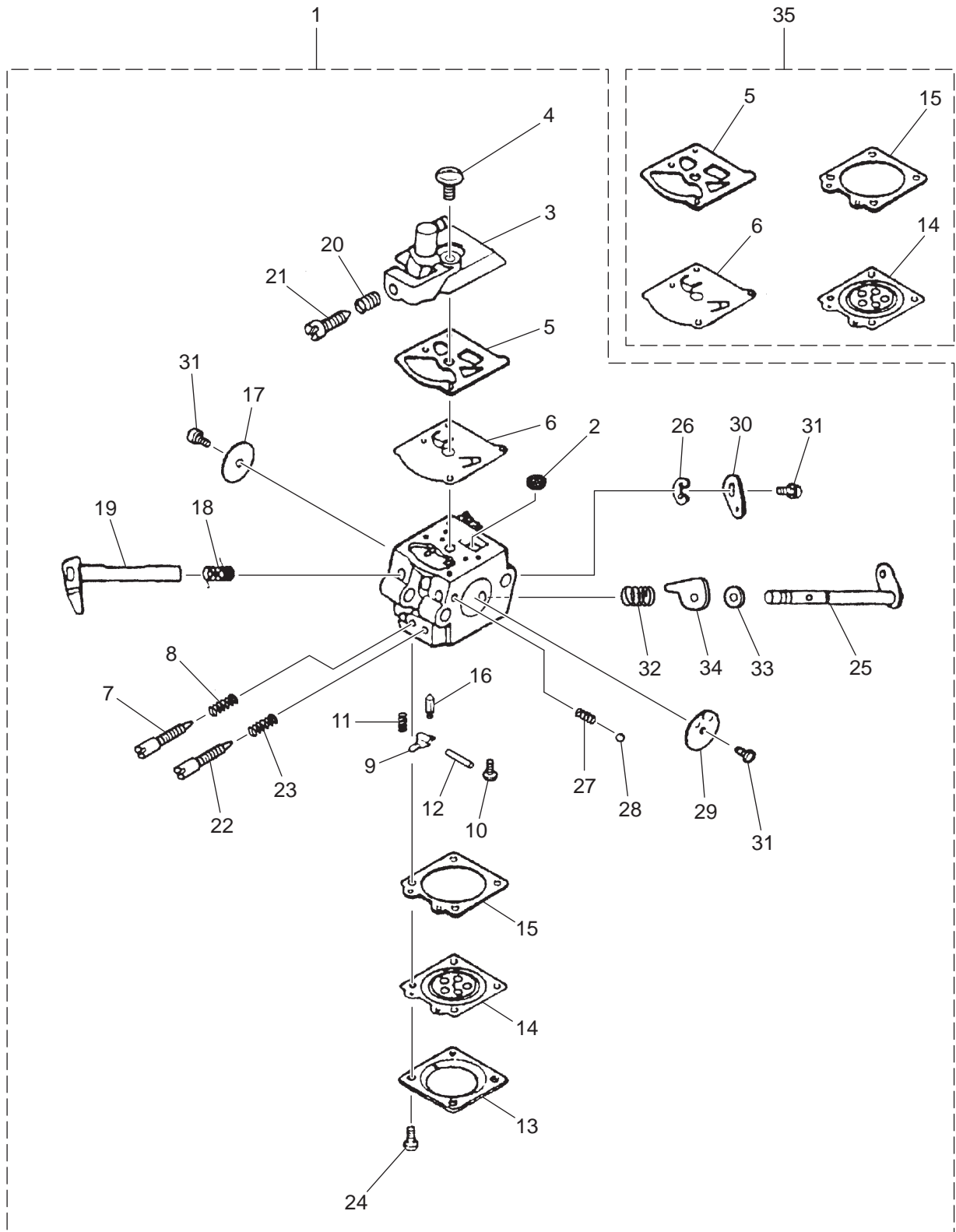


Fig. 6a G5200

CARBURETOR (#809318~)

Key#	PART NUMBER	DESCRIPTION	Q'TY	REMARKS
1	848C8G8100	CARBURETOR ASSY	1	WT-943
2	3306-81380	• SCREEN	1	
3	2810-81120	• PUMP COVER	1	
4	3310-81130	• SCREW	1	
5	3304-81140	• GASKET PUMP	1	
6	1172-81150	• DIAPHRAGM PUMP	1	
7	2810-81170	• L NEEDLE	1	
8	1491-81160	• L NEEDLE SPRING	1	
9	3310-81230	• LEVER	1	
10	3310-81240	• SCREW M LEVER PIN	1	
11	2841-81270	• SPRING	1	
12	3310-81250	• PIN LEVER	1	
13	3310-81280	• COVER	1	
14	3310-81260	• DIAPHRAGM ASSY	1	
15	3310-81290	• GASKET	1	
16	3356-81310	• VALVE INLET	1	
17	3356-81340	• THROTTLE VALVE	1	
18	2670-81410	• THROTTLE SPRING	1	
19	2850-81371	• THROTTLE SHAFT	1	
20	2630-81460	• IDLE SPRING	1	
21	2670-81430	• IDLE SCREW	1	
22	2880-81331	• H NEEDLE	1	
23	3080-81320	• H NEEDLE SPRING	1	
24	3310-81351	• SCREW	4	
25	848C8380E0	• CHOKE SHAFT	1	
26	1148-81390	• RING	2	
27	3350-81350	• CHOKE SPRING	1	
28	3350-81220	• BALL	1	
29	2670-81450	• CHOKE VALVE	1	
30	848C8381Z0	• THROTTLE LEVER	1	
31	2880-81470	• SCREW VALVE	3	
32	848C0080D0	• SPRING	1	
33	1751-81190	• WASHER	1	
34	848C8089D0	• LEVER	1	
35	2810-06021	GASKET KIT	1	

Carburetor Model: WT-281B (Auto Return Choke)
(#605245~ #809317)

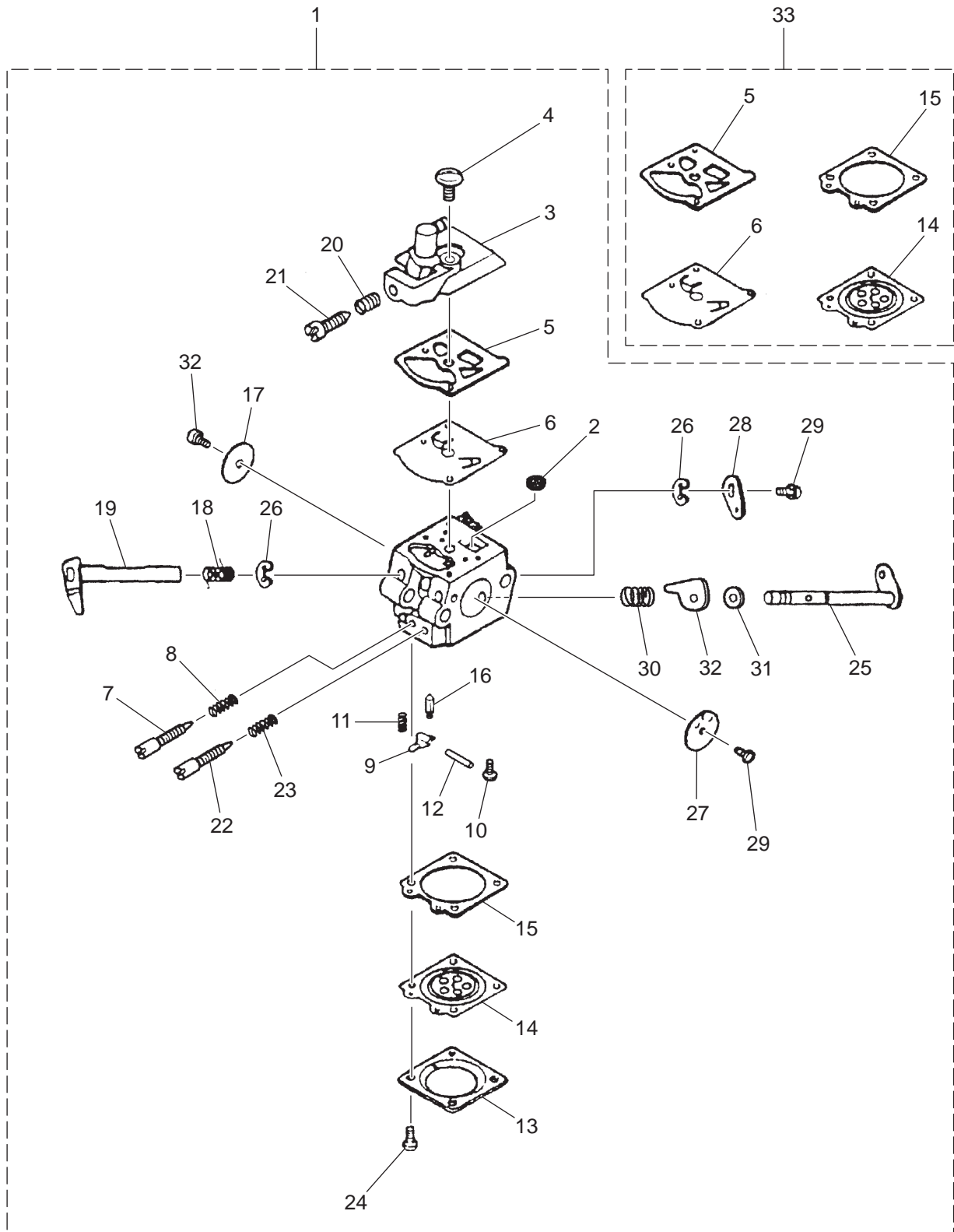


Fig. 6b G5200

CARBURETOR (#605245~ #809317)

Key#	PART NUMBER	DESCRIPTION	Q'TY	REMARKS
1	848C8A8102	CARBURETOR ASSY	1	WT-281B
2	3306-81380	• SCREEN	1	
3	2810-81120	• PUMP COVER	1	
4	3310-81130	• SCREW	1	
5	3304-81140	• GASKET PUMP	1	
6	1172-81150	• DIAPHRAGM PUMP	1	
7	2810-81170	• L NEEDLE	1	
8	1491-81160	• L NEEDLE SPRING	1	
9	3310-81230	• LEVER	1	
10	3310-81240	• SCREW M LEVER PIN	1	
11	2841-81270	• SPRING	1	
12	3310-81250	• PIN LEVER	1	
13	3310-81280	• COVER	1	
14	3310-81260	• DIAPHRAGM ASSY	1	
15	3310-81290	• GASKET	1	
16	3356-81310	• VALVE INLET	1	
17	3356-81340	• THROTTLE VALVE	1	
18	2670-81410	• THROTTLE SPRING	1	
19	2880-81420	• THROTTLE SHAFT	1	
20	2630-81460	• IDLE SPRING	1	
21	2670-81430	• IDLE SCREW	1	
22	2880-81331	• H NEEDLE	1	
23	3080-81320	• H NEEDLE SPRING	1	
24	3310-81351	• SCREW	4	
25	848C8A80E1	• CHOKE SHAFT	1	
26	1148-81390	• RING	2	
27	2670-81450	• CHOKE VALVE	1	
28	848C8081Z1	• THROTTLE LEVER	1	
29	2880-81470	• SCREW VALVE	3	
30	848C0080D0	• SPRING	1	
31	1751-81190	• WASHER	1	
32	848C8089D0	• LEVER	1	
33	2810-06021	GASKET KIT	1	

Carburetor Model: WT-856 (WT-281A)
(~ #605244)

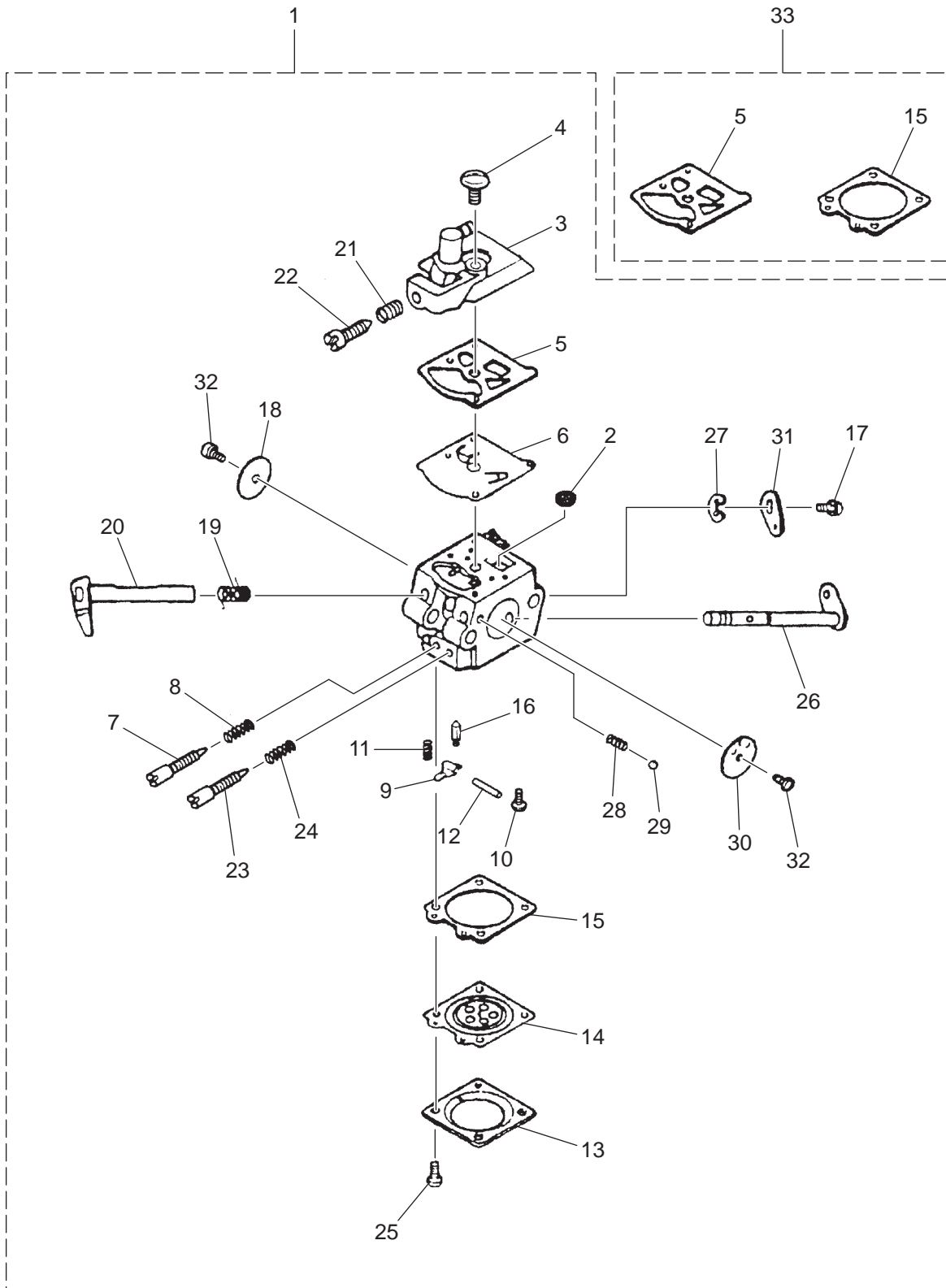


Fig. 6c G5200

CARBURETOR (~ #605244)

Key#	PART NUMBER	DESCRIPTION	Q'TY	REMARKS
1	2880-81001	CARBURETOR ASSY	1	WT-856 (WT-281A)
2	3306-81380	• SCREEN	1	
3	2810-81120	• PUMP COVER	1	
4	3310-81130	• SCREW	1	
5	3304-81140	• GASKET PUMP	1	
6	1172-81150	• DIAPHRAGM PUMP	1	
7	2810-81170	• L NEEDLE	1	
8	1491-81160	• L NEEDLE SPRING	1	
9	3310-81230	• LEVER	1	
10	3310-81240	• SCREW M LEVER PIN	1	
11	2841-81270	• SPRING	1	
12	3310-81250	• PIN LEVER	1	
13	3310-81280	• COVER	1	
14	3310-81260	• DIAPHRAGM ASSY	1	
15	3310-81290	• GASKET	1	
16	3356-81310	• VALVE INLET	1	
17	2880-81470	• SCREW, SHUTTER	1	
18	3356-81340	• THROTTLE VALVE	1	
19	2670-81410	• THROTTLE SPRING	1	
20	2850-81371	• THROTTLE SHAFT	1	
21	2630-81460	• IDLE SPRING	1	
22	2670-81430	• IDLE SCREW	1	
23	2880-81331	• H NEEDLE	1	
24	3080-81320	• H NEEDLE SPRING	1	
25	3310-81351	• SCREW	4	
26	2880-81460	• CHOKE SHAFT	1	
27	1148-81390	• RING	1	
28	3350-81350	• CHOKE SPRING	1	
29	3350-81220	• BOLL	1	
30	2670-81450	• CHOKE VALVE	1	
31	2810-81440	• THROTTLE LEVER	1	
32	2880-81470	• SCREW, VALVE	2	
33	3304-81910	GASKET KIT	1	

* WT-856 (Spare part model)
 WT-281A (Mass produced model)
 Both carburetors are exactly the same.

Fig.7 BREAKING SYSTEMS

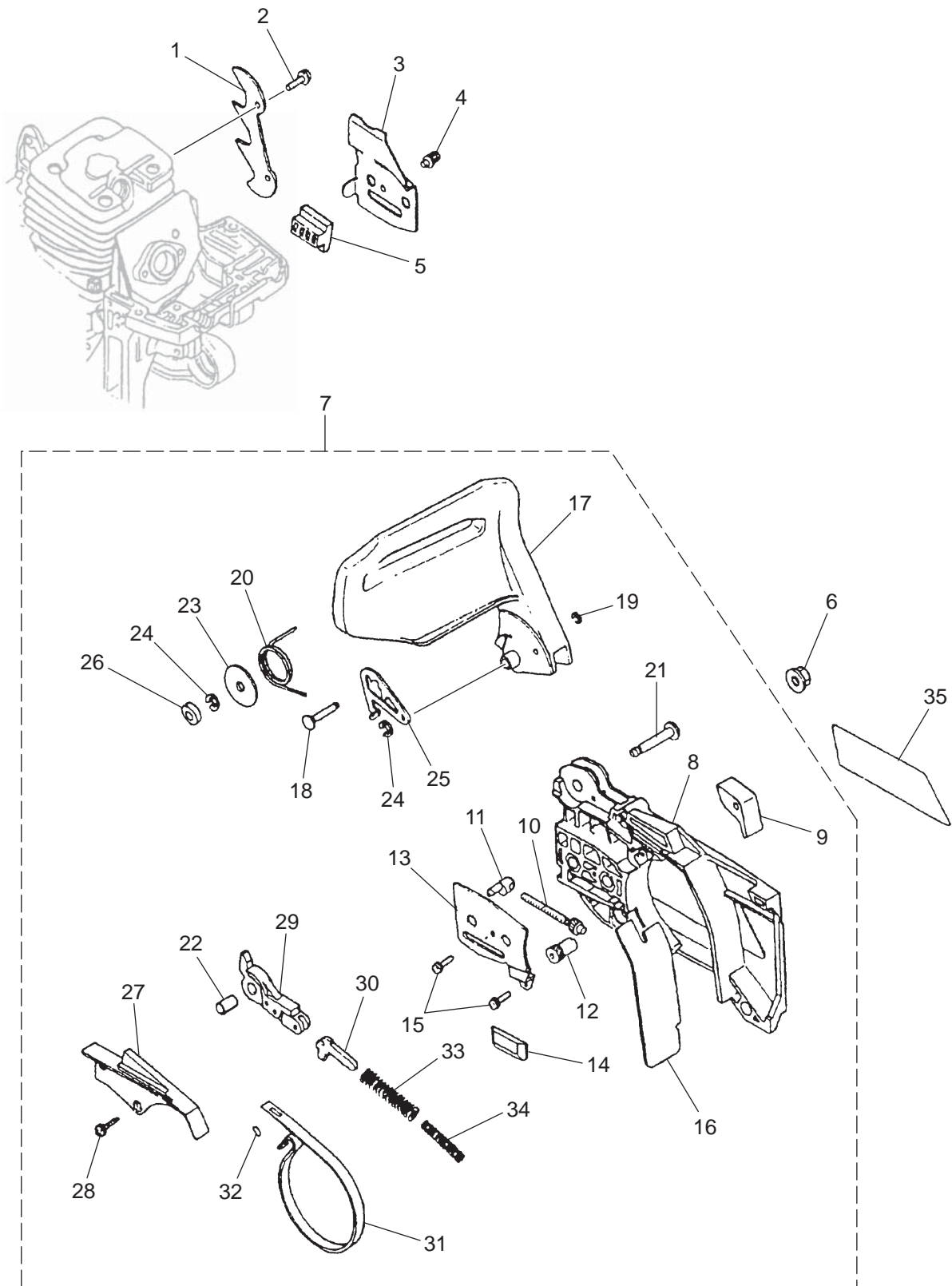


Fig. 7 G5200

BREAKING SYSTEMS

Key#	PART NUMBER	DESCRIPTION	Q'TY	REMARKS
1	2670-25310	BUMPER	1	
2	578 46 83-01	SCREW	2	M5X14
3	2810-25421	PLATE	1	
4	2670-25430	SCREW	1	M4X10
5	2670-25410	GUIDE	1	
6	3350-53410	NUT	2	M8
7	2881-54003	CHAIN COVER ASSY	1	
8	848C8053A5	• CHAIN COVER	1	
9	2880-53150	• STOPPER	1	
10	2671-53210	• SCREW	1	
11	2810-53221	• NUT	1	
12	2671-53230	• GEAR	1	
13	2671-53240	• PLATE	1	
14	2670-25410	• GUIDE	1	
15	2670-54630	• SCREW	2	M4X12 BT
16	2671-53311	• PROTECTOR	1	
17	2880-54112	• FRONT GUARD	1	
18	2670-54121	• PIN	1	
19	0308-00030	• RING	1	
20	2670-54210	• SPRING	1	
21	2670-54220	• PIN	1	
22	2670-54231	• SPACER	1	
23	3238-15230	• WASHER	1	
24	0308-00040	• RING	2	
25	2810-54240	• PLATE	1	
26	2810-54260	• SPACER	1	
27	2670-54621	• COVER	1	
28	2670-54630	• SCREW	3	M4X12 BT
29	2670-54302	• BRAKE LEVER COMP.	1	
30	2670-54411	• SLIDE ARM	1	
31	2670-54510	• BRAKE BAND	1	
32	3356-24140	• ROLLER	1	
33	2670-54610	• BRAKE SPRING	1	
34	2880-54650	• RETURN SPRING	1	
35	848C8H90B1	LABEL, CHAIN COVER	1	

Fig.8 GUIDE BAR,SAW CHAIN,TOOLS

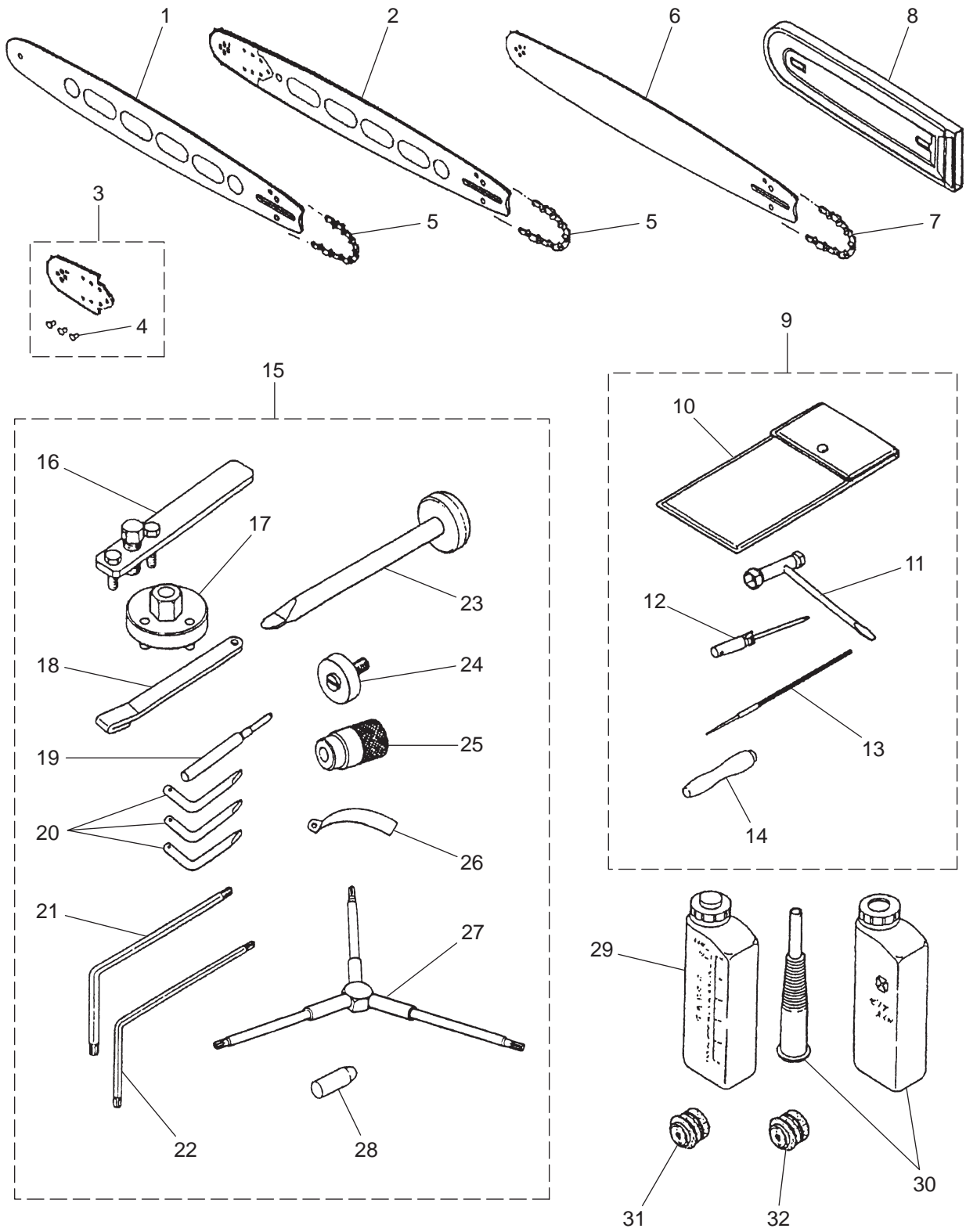


Fig. 8 G5200

GUIDE BAR,SAW CHAIN,TOOLS

Key#	PART NUMBER	DESCRIPTION	Q'TY	REMARKS
1	848CB58421	HARD NOSE LIGHT BAR 18"	1	P: .325 G: .058"
2	2976-52102	RSP BAR 18"	1	P: .325 G: .058"
3	2976-06010	NOSE KIT	1	
4	3679-52130	• RIVET	3	
5	848CC21B72-50	CHAIN 18"	1	21BPX-72E
6	3645-52114	SPROCKET NOSE BAR 16"	1	P: .325 G: .058"
7	848CC21B66-50	CHAIN 16"	1	21BPX-66E
8	3356-97110	PROTECTOR	1	
9	2811-91001	TOOL SET	1	
10	3345-91110	• BAG	1	
11	3320-91140	• PLUG WRENCH	1	13X19
12	2670-91150	• DRIVER	1	
13	3320-97310	• FILE	1	ø4.8 (3/16")
14	3381-91530	• GRIP	1	
15	2670-96002	TOOL SET	1	OP
16	2890-96100	• PULLER ASSY (FOR ROTOR)	1	OP
17	2670-96210	• WRENCH (FOR CLUTCH)	1	OP
18	2670-96220	• STOPPER (FOR PISTON)	1	OP
19	3350-96230	• GUIDE (FOR PISTON)	1	OP
20	2670-96240	• WRENCH (FOR CLUTCH ASSY)	3	OP
21	2670-96310	• WRENCH (M5)	1	OP
22	2670-96320	• WRENCH (M4)	1	OP
23	2670-96510	• GUIDE (FOR BRAKE SPRING)	1	OP
24	3350-96620	• GUIDE	1	OP
25	2670-96660	• HOLDER	1	OP
26	3350-96240	• GAUGE	1	OP
27	578 28 90-01	• WRENCH	1	OP
28	588 12 83-01	• GUIDE (FOR BRAKE SPRING)	1	OP
29	3317-91300	FUEL TANK ASSY	1	OP
30	3317-91400	OIL TANK ASSY	1	OP
31	2881-98710	FRONT DAMPER	3	OP
32	2881-98720	REAR DAMPER	2	OP