



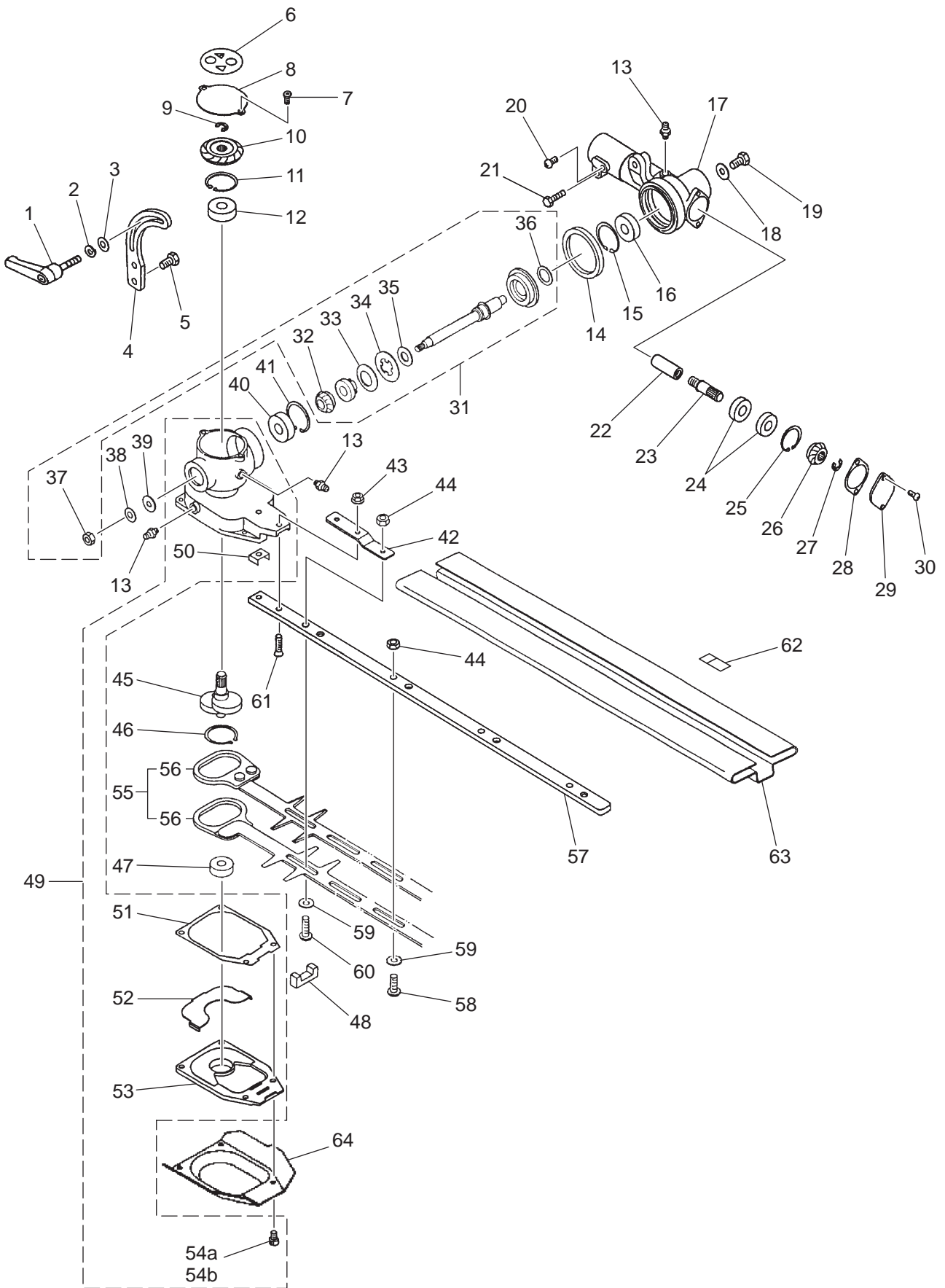
PARTS LIST

BRUSHCUTTER ATTACHMENT

LHTZ-A

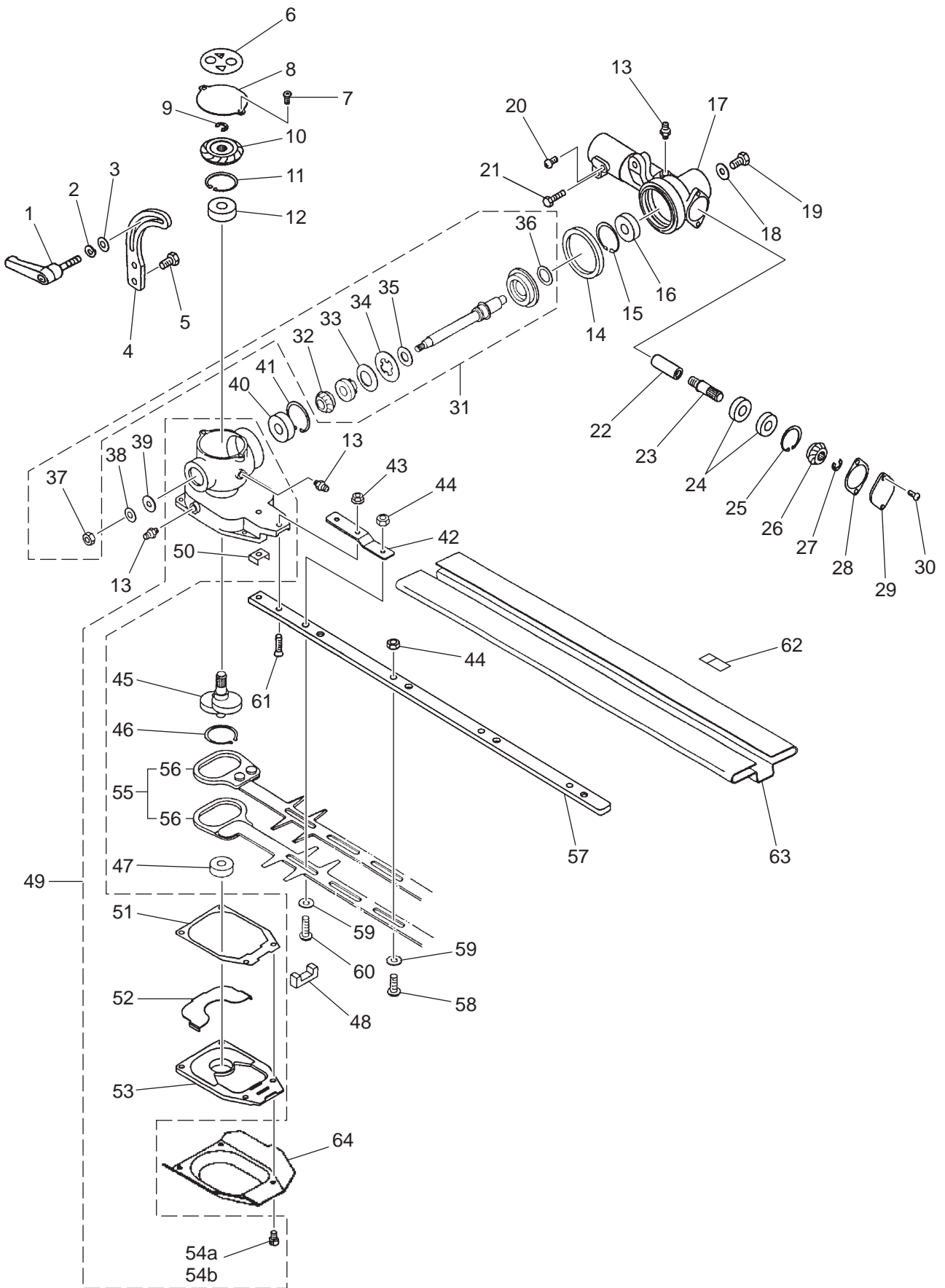
NOTE :

1. Use HUSQVARNA ZENOAH genuine parts as specified in the parts list for repair and/or replacement.
2. HUSQVARNA ZENOAH does not warrant the machines, which have been damaged by the use of any parts other than those specified by the company.
3. When placing parts orders for repair and/or replacement, check if the model name and the serial number are applicable to those specified in the parts list, then use parts number described in the parts list.
4. The contents described in the parts list are accurate as of the date and may change due to improvement.
5. The parts for the machine shall be supplied ten (10) years after the machine is discontinued. [It is possible that some specific parts may be subject to change of their delivery term and list price within the limit of ten (10) years after the machine is discontinued. It is also possible that some parts may be available even after the limit of ten (10) years.]



LHTZ-A

Key#	PART NUMBER	DESCRIPTION	Q'TY	REMARKS
1	6598-13110-10	LEVER	1	
2	0290-20615	WASHER	1	
3	6782-13650	WASHER	1	6x15x2.0
4	6782-13141	PLATE	1	
5	0225-10612	BOLT	2	M6x12-H/S
6	585 17 82-01	DECAL, NAME	1	LHTZ-A
7	0263-10408	SCREW	2	M4x8-CS/S
8	6598-13320	COVER, A	1	
9	6598-13330	RING	1	ETW6
10	6782-13340	GEAR	1	
11	04065-02612	SNAP RING	1	
12	06004-06000	BEARING	1	6000 2RS
13	3199-13350	GEASE FITTING	3	
14	6598-13620	O-RING	1	P41
15	04065-02612	SNAP RING	1	
16	06004-06000	BEARING	1	6000 2RS
17	848A2Z61A1	CASING, B	1	
18	6782-13650	WASHER	1	6x15x2.0
19	0225-10612	BOLT	1	M6x12
20	01252-30512	BOLT	1	M5x12
21	3350-21320	BOLT	1	M5x30-HS/PS
22	585 17 29-01	JOINT	1	7T/M7
23	6598-13820	GEARSHAFT(B)	1	
24	588 12 29-01	BEARING	2	
25	04065-02212	SNAP RING	1	
26	6782-13850	GEAR	1	
27	6598-13330	RING	1	ETW6
28	6598-13860	GASKET	1	
29	6598-13871	PLATE	1	
30	0263-10410	SCREW	2	M4x10-CS/S
31	T4008-06010	SHAFT KIT	1	
32	T4008-13630	• GEAR, C	1	
33	T4008-13650	• SPRING	1	
34	T4008-13660	• PLATE	1	
35	T4008-13670	• WASHER	1	
36	T4008-13680	• WASHER	1	
37	0280-10605	• NUT	1	M6-H
38	0290-20615	WASHER	1	S
39	6782-13650	WASHER	1	6x15x2.0
40	6598-13430	BEARING	1	608 2RS
41	04065-02212	SNAP RING	1	
42	6782-13550	PLATE	1	
43	6782-14470	NUT	2	M5-HF
44	3880-11790	NUT	4	M6-HU
45	6782-13370	CRANKSHAFT	1	



LHTZ-A

Key#	PART NUMBER	DESCRIPTION	Q'TY	REMARKS
46	04064-02815	SNAP RING	1	
47	6782-13430	BEARING	1	
48	6782-13460	FELT	1	
49	587 86 28-02	CASE, (A) FUTA_SET	1	
50	6782-13220	• PLATE	1	
51	6782-13470	• GASKET	1	
52	594 03 89-01	• PLATE	1	S/N 015960~
53	587 87 45-01	• COVER	1	
54a	585 17 32-01	• BOLT	4	M4x12 S/N ~015959
54b	585 17 26-01	• BOLT	4	M4x16 S/N 015960~
55	6783-13400	BLADE SET	1	
56	6783-13411	• UPP-LOW-BLADE	2	L400 t2.0
57	6782-13540	PLATE	1	
58	6598-13510	SCREW, L17	3	L17
59	3880-11780	WASHER	4	
60	3884-11750-10	SCREW	1	L19
61	585 17 38-01	SCREW	2	M5x20
62	6598-13890	LABEL	1	
63	585 17 83-01	BLADE COVER	1	L440
64	585 17 81-01	PLATE, SLEIGH	1	