



PARTS LIST

HANDHELD BLOWERS

HBZ260EZ

(ENGINE : GZ26S)

NOTE :

1. Use HUSQVARNA ZENOAH genuine parts specified in the parts list for repair and/or replacement.
2. HUSQVARNA ZENOAH does not warrant the machines, those which have been damaged by the use of any parts other than those specified by the company.
3. When placing orders of parts for repair and/or replacement, check if the model name and the serial number are suitable to those specified in the parts list, then use parts number described in the parts list.
4. The contents described in the parts list may change due to improvement.
5. The parts for the machine shall be supplied within ten (10) years after the machine is discontinued. [It is possible that some specific parts may be subject to change of their delivery term and list price within the limit of ten (10) years after the machine is discontinued. And it is also possible that some parts may be available even after the limit of ten (10) years.]

APPLICABLE SERIAL NUMBERS:

2016 0200101 and up

October 2019

Fig.1 ENGINE UNIT

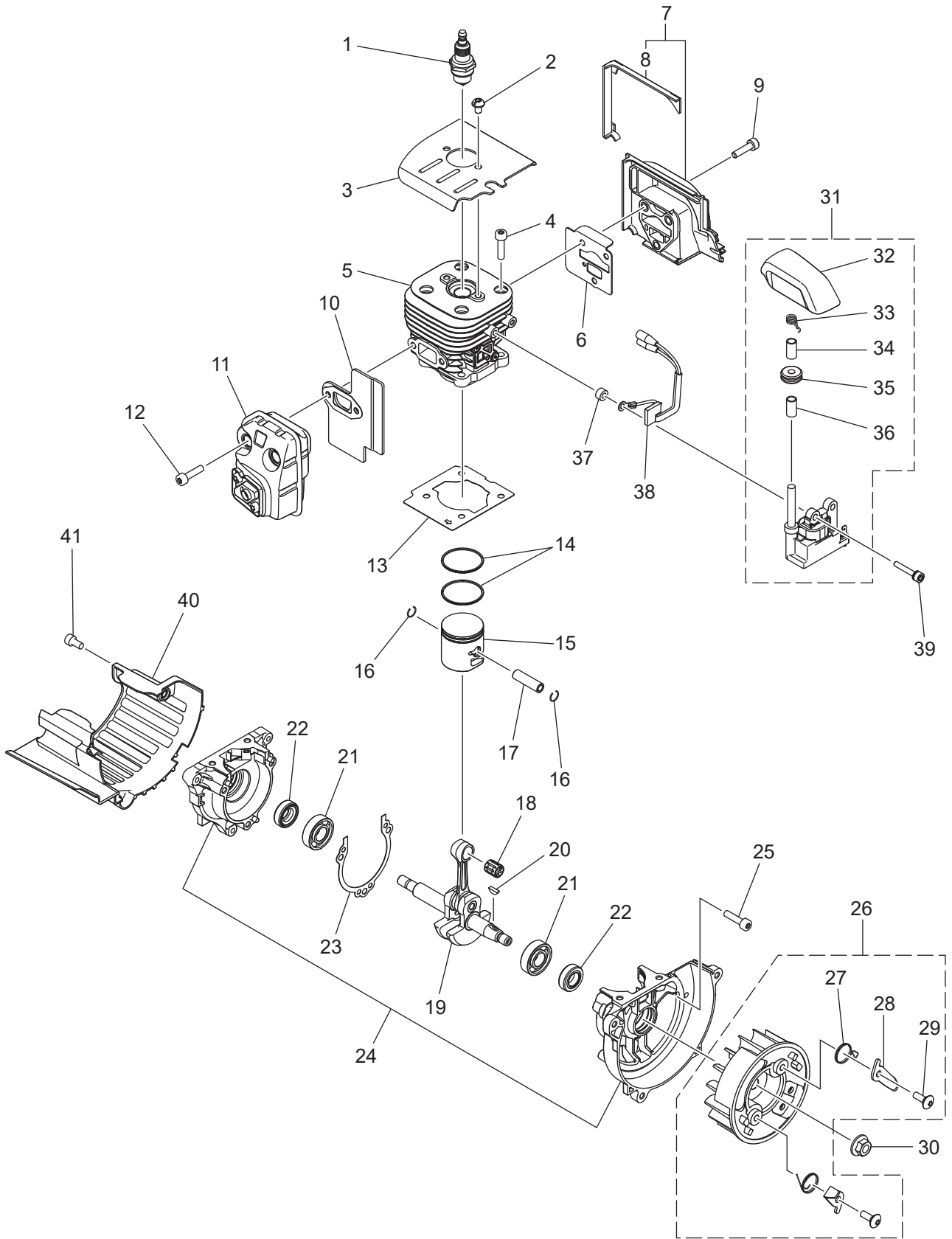


Fig. 1 HBZ260EZ

ENGINE UNIT

Key#	PART NUMBER	DESCRIPTION	Q'TY	REMARKS
1	3699-92672	SPARK PLUG	1	BPMR8Y
2	T4960-50810	SCREW	2	M5x0.8
3	585 60 19-01	PLATE, CYLINDER	1	
4	4820-13180	SCREW	4	M5x0.8
5	577 97 90-01	CYLINDER, COMP	1	
6	585 60 33-01	GASKET, INSULATOR	1	
7	587 19 45-01	INSULATOR, ASSY	1	
8	587 12 20-01	· INSULATING SHEET	1	
9	585 88 34-01	BOLT	3	M5x0.8
10	585 60 39-01	GASKET, MUFFLER	1	
11	586 23 17-01	MUFFLER ASSY	1	
12	4820-13180	SCREW	2	M5x0.8
13	585 60 18-01	GASKET, BASE	1	
14	8488C34101	RING	2	
15	577 91 74-01	PISTON	1	
16	1260-41320	RING	2	
17	1600-41310	PIN	1	
18	576 40 27-01	BEARING	1	
19	585 60 29-01	CRANKSHAFT, COMPLETE	1	
20	1000-43240	KEY	1	
21	06030-06001	BEARING	2	
22	4810-21210	SEALING	2	
23	585 60 26-01	GASKET, CASE	1	
24	585 60 21-01	CRANKCASE, COMP	1	
25	4820-13180	SCREW	3	M5x0.8
26	585 68 31-01	FLYWHEEL ASSY	1	
27	586 34 65-01	· SPRING	2	
28	586 34 63-01	· RATCHET	2	
29	586 34 64-01	· BOLT	2	M5x0.8
30	1650-43230	NUT	1	
31	585 68 32-04	IGNITION COIL ASSY	1	
32	585 60 37-02	· SPARK PLUG CAP	1	
33	577 88 47-01	· SPRING	1	
34	576 88 27-01	· IGNITION CABLE	1	
35	848F6L71E0	· CAP	1	
36	587 28 34-01	· TUBE	1	
37	588 17 14-01	SPACER	2	
38	586 98 66-01	CORD, COMP	1	
39	8488-142500	BOLT	2	M4x0.7
40	585 60 40-01	PLATE, MUFFLER	1	
41	4820-12350	SCREW	2	M5x0.8

Fig.2 AIR UNIT

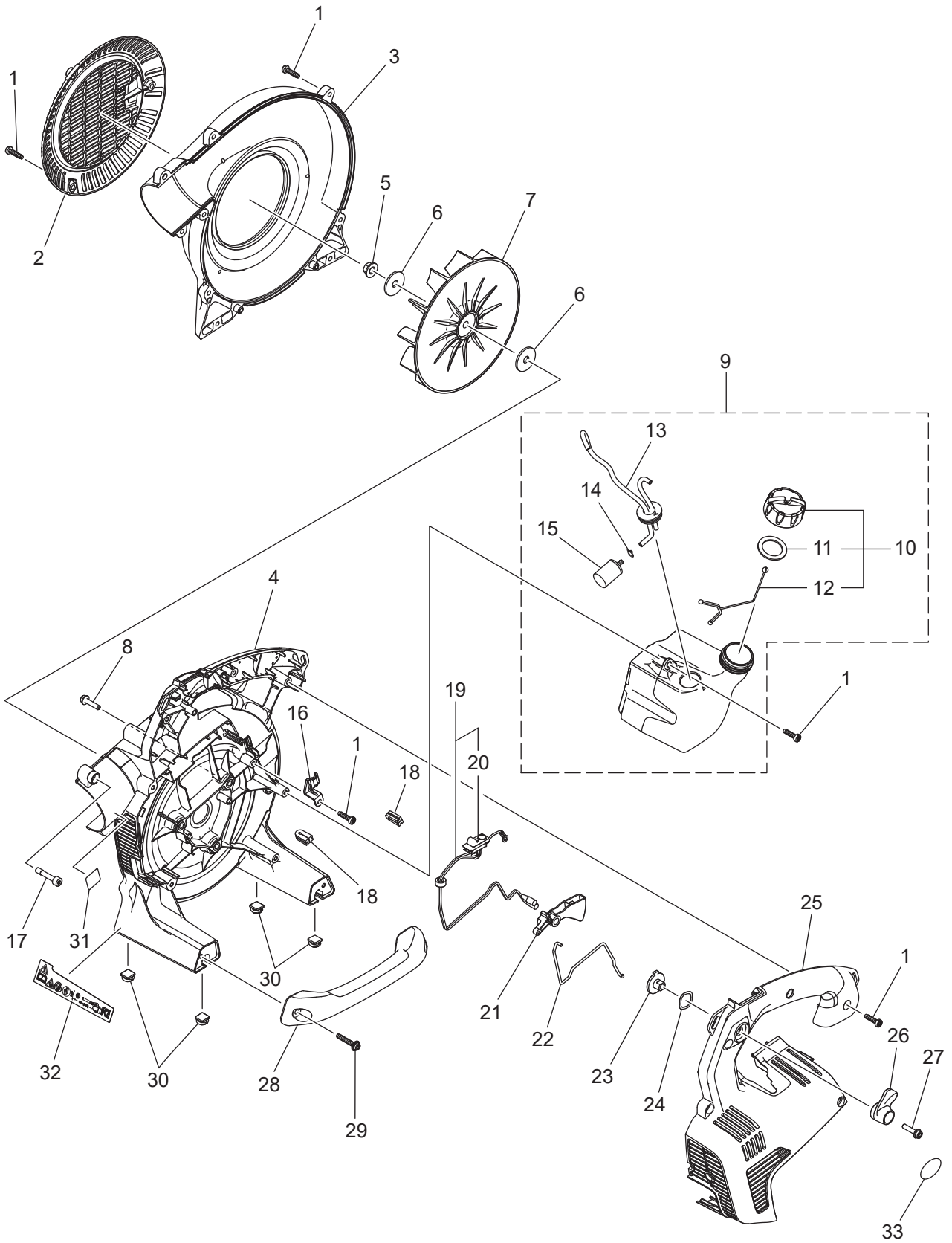


Fig. 2 HBZ260EZ

AIR UNIT

Key#	PART NUMBER	DESCRIPTION	Q'TY	REMARKS
1	T4970-52000	SCREW	20	M5x1.81
2	585 62 38-02	GUARD, NET	1	
3	586 01 78-01	VOLUTE, COVER	1	
4	586 01 77-01	VOLUTE, CASE	1	
5	585 62 54-01	NUT	1	M8x1.0
6	6811-12220	WASHER	2	
7	585 62 53-01	FAN	1	
8	4820-12130	BOLT	3	M5x0.8
9	585 63 51-07	FUEL TANK ASSY	1	
10	576 40 37-03	• TANK CAP	1	
11	577 04 87-01	• • GASKET	1	
12	577 04 91-02	• • HOLDER	1	
13	596 63 04-04	• PIPE, COMP	1	
14	1260-85460	• CLIP	1	
15	503 44 32-01	• FILTER	1	
16	586 90 98-01	CLAMP	1	
17	585 88 37-01	BOLT	1	M6x1
18	4810-72120	GROMMET	2	
19	596 55 79-01	25 ASSY	1	
20	537 41 90-01	SWITCH	1	
21	586 01 79-01	THROTTLE LEVER	1	
22	586 01 80-01	THROTTLE ROD	1	
23	585 62 47-01	RATCHET	1	
24	588 90 34-01	WASHER	1	
25	586 01 81-01	ENGINE COVER	1	
26	588 69 02-01	CONTROL LEVER	1	
27	4820-12130	BOLT	1	M5x0.8
28	586 01 86-01	HANDLE, ASSIST	1	
29	586 01 87-01	SCREW	2	M5x1.81
30	588 78 37-01	ISOLATOR	4	
31	585 70 27-01	DECAL, LEMA,COMPLY	1	
32	588 84 16-01	DECAL, CAUTION		
33	577 95 56-01	DECAL, STRATOCHARGED		

Fig.3 INTAKE, RECOIL, ACCESSARY

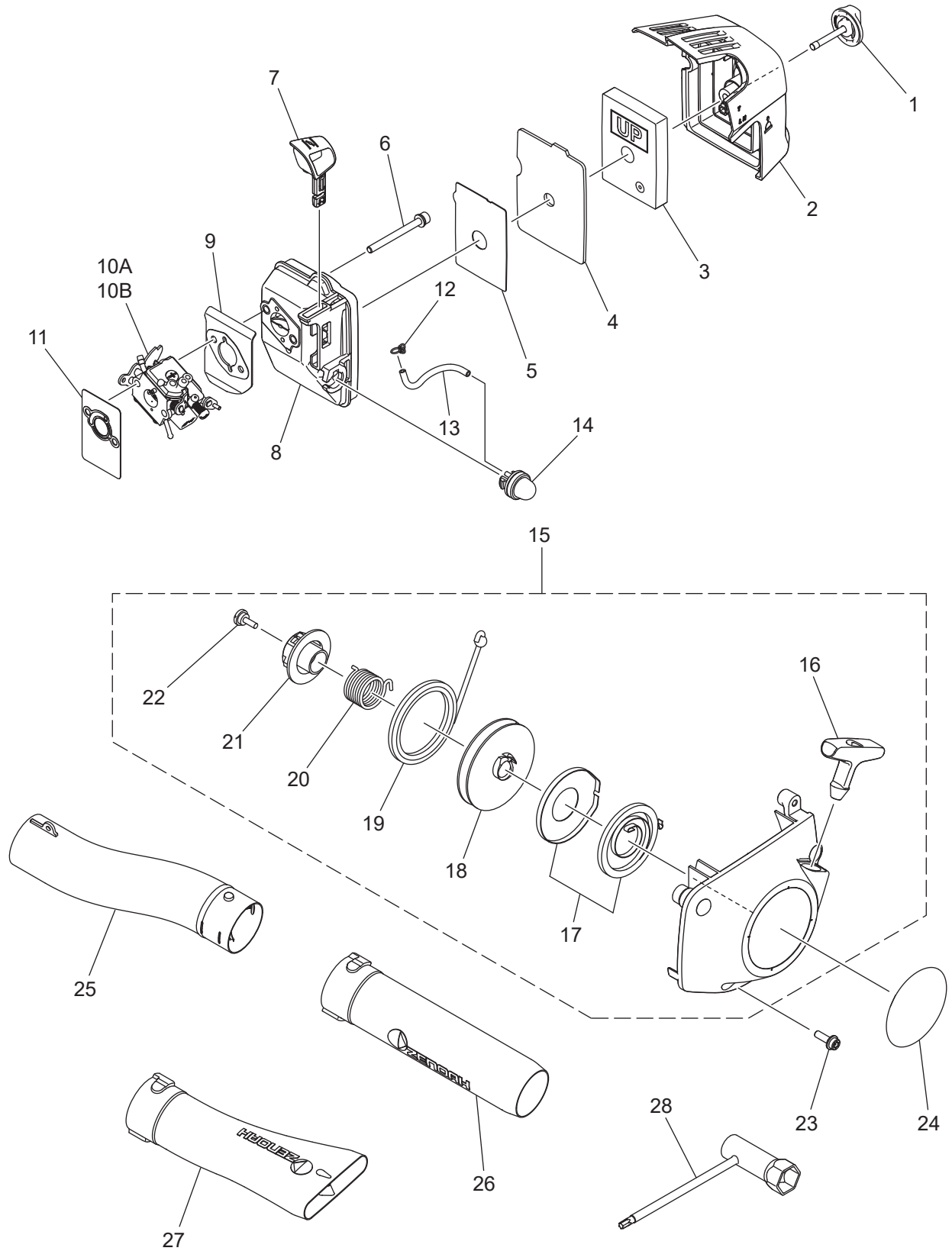


Fig. 3 HBZ260EZ

INTAKE, RECOIL, ACCESSARY

Key#	PART NUMBER	DESCRIPTION	Q'TY	REMARKS
1	576 99 24-04	KNOB, CLEANER	1	
2	585 60 48-02	FILTER COVER	1	
3	585 60 50-01	AIR FILTER, URETHANE	1	
4	585 60 49-02	AIR FILTER, FELT	1	
5	585 60 46-01	PLATE	1	
6	585 88 35-02	BOLT	2	M5x0.8
7	585 60 45-02	CHOKE CONTROL	1	
8	585 60 44-01	FILTER HOUSING	1	
9	586 69 30-01	GASKET, CLEANER	1	
10A	586 23 19-01	CARBURETTOR, ASSY (DISCONTINUED)	1	HB226B
10B	586 23 19-02	CARBURETTOR, ASSY	1	USE H226B-10 HB226B-10
11	586 23 58-01	GASKET, CARBURETOR	1	
12	580 39 63-01	CLIP	1	
13	577 53 33-04	FUEL HOSE	1	
14	2850-81900	PUMP	1	
15	586 04 35-01	STARTER ASSY	1	
16	575 48 95-02	• STARTER HANDLE	1	
17	848CE07530	• SPRING ASSY	1	
18	848CE075C1	• REEL	1	
19	848CE075F0	• ROPE	1	
20	586 31 88-01	• SPRING, DAMPER	1	
21	586 31 87-01	• CAM, PLATE	1	
22	4500-75150	• SCREW	1	
23	577 94 23-01	BOLT	3	M5x0.8
24	586 07 63-11	DECAL, RECOIL	1	
25	586 01 82-01	TUBE, UPPER, COMP	1	
26	586 01 85-01	TUBE, END	1	
27	586 23 20-01	NOZZLE, FLAT	1	
28	588 84 14-01	WRENCH	1	

Fig.4 CARBURETOR

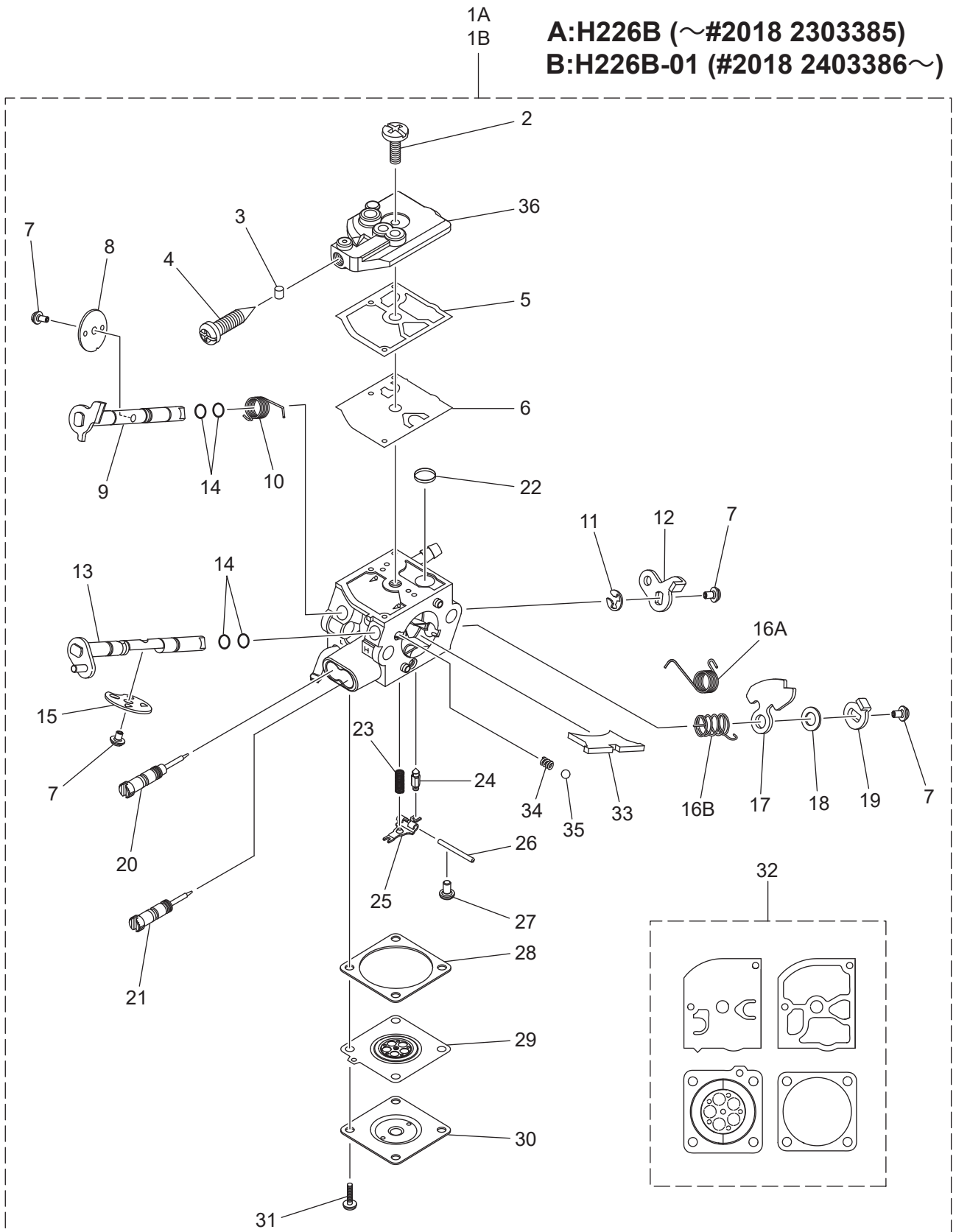


Fig. 4 HBZ260EZ

CARBURETOR

Key#	PART NUMBER	DESCRIPTION	Q'TY	REMARKS
1A	586 23 19-01	CARBURETOR, ASSY (DISCONTINUED)	1	H226B (~#2018 2303385)
1B	586 23 19-02	CARBURETOR, ASSY	1	H226B-01 (#2018 2403386~)
2	577 89 93-01	• SCREW	1	
3	578 38 97-01	• PLUG	1	
4	579 63 17-01	• SCREW, ADJUSTABLE	1	
5	577 89 94-01	• GASKET, PUMP	1	
6	577 89 95-01	• DIAPHRAGM, PUMP	1	
7	577 89 97-01	• SCREW	4	
8	587 71 28-01	• VALVE, THROTTLE	1	
9	587 71 30-01	• SHAFT ASSY, THROTTLE	1	
10	587 71 29-01	• SPRING, THROTTLE RETURN	1	
11	577 90 04-01	• E-RING	1	
12	588 99 55-01	• LEVER	1	
13	587 71 41-01	• SHAFT ASSY, CHOKE	1	
14	587 71 36-01	• O-RING	4	
15	588 99 56-01	• VALVE, CHOKE	1	
16A	587 71 37-01	• SPRING, RETURN	1	FOR H226B
16B	587 71 37-02	• SPRING, RETURN	1	FOR H226B-01
17	588 99 58-01	• LEVER	1	
18	588 99 57-01	• GASKET	1	
19	587 71 40-01	• LEVER	1	
20	587 71 34-01	• SCREW, IDLE MIXTURE	1	
21	588 99 54-01	• SCREW, MAIN MIXTURE	1	
22	577 90 03-01	• STRAINER	1	
23	579 63 18-01	• SPRING	1	
24	579 63 19-01	• VALVE, INLET	1	
25	578 39 02-01	• LEVER	1	
26	578 39 06-01	• PEN	1	
27	578 39 03-01	• SCREW	1	M3x6
28	577 89 99-01	• GASKET, METERING CHAMBER	1	
29	577 90 01-01	• DIAPHRAGM, ASSY METERING	1	
30	577 90 00-01	• COVER, METERING CHAMBER	1	
31	577 90 05-01	• SCREW	4	M3x7
32	577 90 18-01	• GASKET KIT	1	#4,5,27 AND 28
33	587 71 35-01	• PLATE, SPLIT	1	
34	577 90 16-01	• SPRING, FRICTION	1	
35	577 90 15-01	• BALL, STEEL	1	
36	587 71 38-01	• PUMP, COVER	1	